

THERMOSTAT TS34 SERIES FOR TEMPERATURE CONTROL OF THE GREENHOUSE

PRODUCT DATA AND INSTALLATION INSTRUCTIONS

APPLICATION

TS34(thermostat) is used to regulate the temperature of heating, ventilation and air conditioning systems and also as a protection against frost or overheating.

BENEFITS

- Detect the temperature change of the medium and perform the switching action
- Automatic reset function
- The action temperature and differential is adjustable

TECHNICAL SPECIFICATIONS

Pressure media	Mainly the greenhouse air
Temperature bulb	Φ2.5 Capillary, the minimum length of capillary and controlled environment is 0.25m(customizable)
Switching capacity	FL8A/FR48A at 240VAC FL16A/FR96A at 120VAC
Electrical connections	Screw terminals
Cable interface	5-10mm diameter cable sealing interface
Protection class	IP30
Mounting lugs	Integrated in bottom housing
Dielectric strength	2000V/one minute without breakdown
Medium temperature	-40...+120°C[-40...248°F]
Ambient temperature	-25...+65°C[-13...149°F]
Contact version	SPDT

CONTENTS OF DELIVERY

The deliver includes (in the case of individual packages)

The following part:

- 1 TS34 Thermostat
- 1 Data sheet with installation information



1 Set of mounting accessories:

- mounting bracket and screws
- Capillary fixation plates

APPROVALS



OPERATING RANGES

Model	Temperature Range	Temperature Difference Range	Factory Set
15	-30...15[-22...59]	2...10[35.6...50]	-7/-9[19.4/15.8]
30	-5...30[23...86]	2...12[35.6...53.6]	10/7[50/44.6]

Unit:°C[°F]

DIMENSIONS IN mm[in]

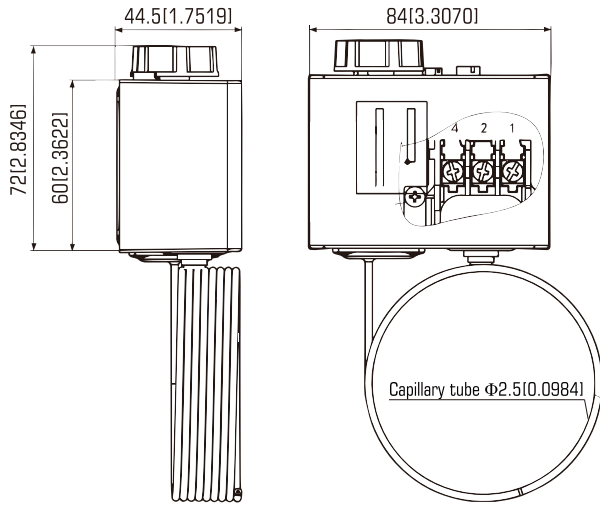


Fig.1. Dimensions of TS34 Series thermostat

OPTIONS / ACCESSORIES

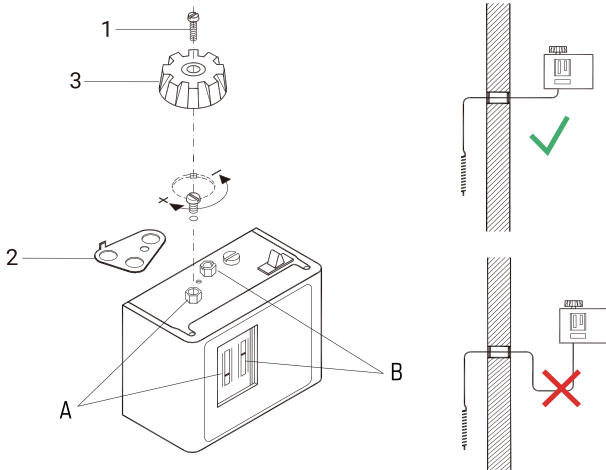


Figure 1

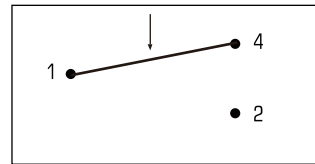
1 mounting bracket and 2 screws

The number of fixed plates and screws is determined based on the length of the capillary tube.

INSTALLATION



- 1=Knob setting screws
- 2=Dead plate
- 3=Knob
- A=Temperature regulating system
- B=Temperature DIFF. regulating system



1=COM 2=NC 4=NO

Figure 2

Arrangement of contacts



CAUTION

Switch off power before removing cover!

Anwoll

ANWOLL INDUSTRIES, INC

5634 Grand Floral Blvd. Houston,
TX 77041 USA