

Pressure Switch HPS41 Series

FOR CONTROLLING THE PRESSURE REGULATION OF BOILERS AND WATER TOWERS

PRODUCT DATA AND INSTALLATION INSTRUCTIONS

APPLICATION

HPS41 pressure switch are mainly used to control pressure of boiler or water tower regulating system. When the system pressure exceed the setting point, the switch will cut off the circuit for protection. With SPDT contact arrangement, HPS41 switch can detect the pressure change and shift the internal status accordingly to control the on/off of external circuits, which is available for the pressure control, limit and alarm of non-hazardous liquid, gas and steam.

BENEFITS

- All models automatically reset and have an adjustable differential.
- Models have snap switch to open or close a circuit on a pressure rise.
- Case has a clear plastic cover so setpoints can be observed.

TECHNICAL SPECIFICATIONS

Pressure range	15...100-2070kPa(2...15-300psi)
Pressure media	Air,water,oil,steam,liquid and other non-corrosive media,chlorinecontaining liquid is not available
Process connection	NPT1/4,G1/4,R1/4
Switching capacity	FL5.1A/LR30.6A at 240VAC FL8A/LR48A at 120VAC
Electrical connections	Screw terminals
Cable interface	22mm diameter cable sealing interface
Pressure Diaphragm	Stainless steel,corrugated tube
Mounting lugs	Integrated in bottom housing
Dielectric strength	2000V/one minute without breakdown
Medium temperature	-40...+180°C[-40...365°F]
Ambient temperature	-29...+66°C[-20.2...150.8°F]
Contact version	SPDT

CONTENTS OF DELIVERY

The deliver includes (in the case of individual packages)

The following part:

- 1 HPS41 Pressure Switch
- 1 Data sheet with installation information



OPERATING RANGES

Model	Pressure Range		Differential Pressure Range	
	kPa	psi	kPa	psi
15	15...100	2...15	15...40	2...6
50	35...350	5...50	40...100	4...14
150	70...1035	10...150	70...150	10...22
300	140...2070	20...300	140...345	20...50

Maximum Working Pressure	
kPa	psi
170	25
590	85
1550	225
2410	350

$$1\text{bar} = 100\text{kPa} = 0.1\text{MPa} = 14.5\text{psi}$$

DIMENSIONS IN mm[in]

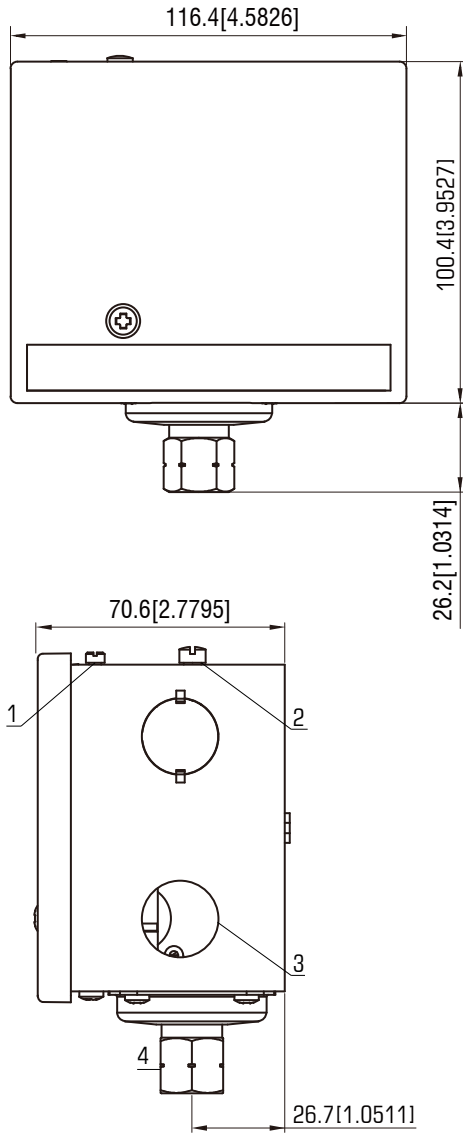


Fig.1. Dimensions of HPS41 Series pressure switches

- 1= Differential pressure adjusting screw
- 2= Pressure adjusting screw
- 3= Wire inlet
- 4= Process connection

Anwoll

ANWOLL INDUSTRIES, INC
 5634 Grand Floral Blvd. Houston,
 TX 77041 USA

OPTIONS / ACCESSORIES

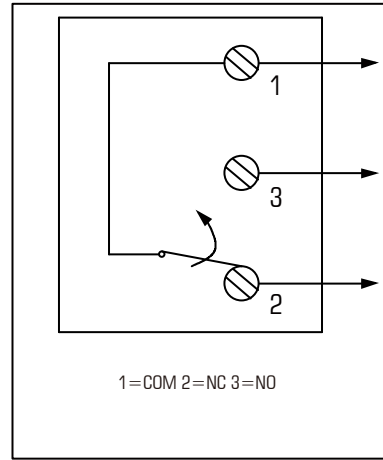


Figure 1
 Arrangement of contacts



CAUTION

Switch off power before removing cover!