

Differential Pressure Switch DPS33 Series FOR REFRIGERATING SYSTEM, USER-ADJUSTABLE

PRODUCT DATA AND INSTALLATION INSTRUCTIONS

APPLICATION

DPS33 is a protective device for refrigeration compressors or pressure lubrication of other mechanical. In the refrigeration system, the switch receives the two pressure signals of the discharge pressure of the lubricating oil pump and the suction pressure of the compressor, and maintains a certain range of difference between these two pressures, and when the difference is smaller than the set value, the switch will actuate immediately to automatically cut off the compressor circuit and stop the compressor, thus protecting the compressor.

BENEFITS

- Manual and automatic reset
- Equipped with mounting bracket

TECHNICAL SPECIFICATIONS

Pressure media	Refrigerant, air, water, oil
Process connection	1/4SAE male, G1/4 male, M12*1.25 male
Switching capacity	FL8A/FR48A at 240VAC FL16A/FR72A at 120VAC
Electrical connections	Screw terminals
Cable interface	6-14mm diameter cable sealing interface
Protection class	IP20
Mounting lugs	Integrated in bottom housing
Dielectric strength	1500V/one minute without breakdown
Medium temperature	-40...+120°C[-40...248°F]
Ambient temperature	-20...+65°C[-4...149°F]
Contact version	SPDT

CONTENTS OF DELIVERY

The deliver includes (in the case of individual packages)

The following part:

- 1 DPS33 Differential Pressure Switch
- 1 Data sheet with installation information



1 Set of mounting accessories:

- 1 L-shaped mounting bracket and 4 short screw

APPROVALS



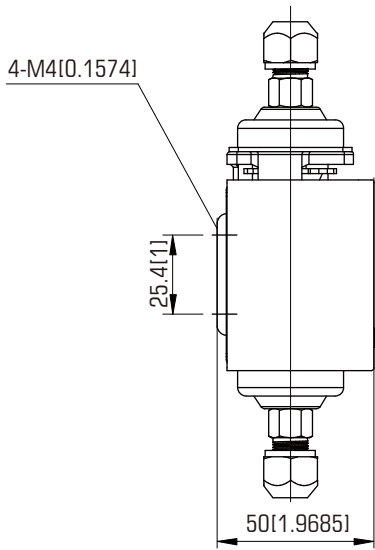
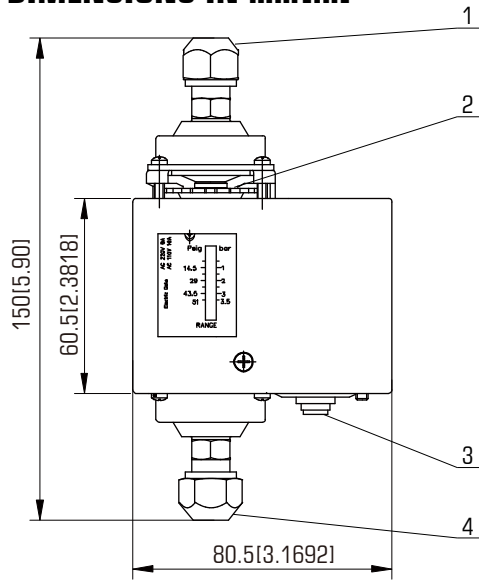
OPERATING RANGES

Model	Differential Pressure Range	Factory Setting	Maximum Working Pressure
2	0.5 ... 2	0.5	17
4	0.5 ... 3.5	1	17
4H	0.5 ... 3.5	1	33
6	1...6	1	17
6H	1...6	1	33

Unit : bar

1bar=100kPa=0.1MPa=14.5psi

DIMENSIONS IN mm[in]



OPTIONS / ACCESSORIES

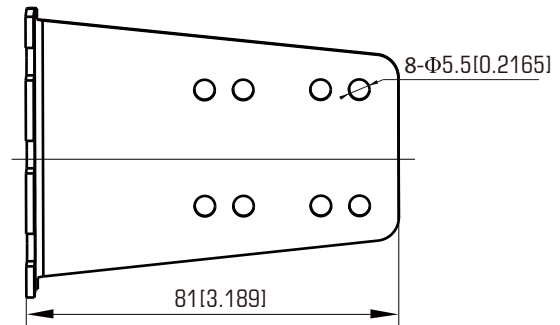
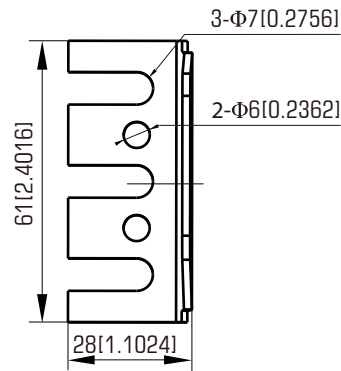
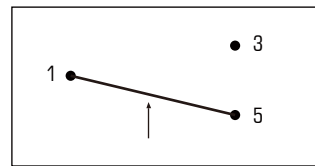


Figure 1
Bracket



1=COM 3=NO 5=NC

Figure 2
Arrangement of contacts

Fig. 1. Dimensions of DPS33 Series Differential Pressure Switches

- 1=Low pressure interface
- 2=Differential pressure adjustment knob
- 3=Cable inlet
- 4=High pressure interface

Anwoll

ANWOLL INDUSTRIES, INC

5634 Grand Floral Blvd. Houston,
TX 77041 USA



CAUTION

Switch off power before removing cover!