

Differential Pressure Gauge DPG51 Series

FOR AIR AND NON-FLAMMABLE GASES

PRODUCT DATA AND INSTALLATION INSTRUCTIONS

APPLICATION

Supply for measuring the fans or blowers pressure, filter resistant, wind speed, furnace gas pressure, Orifice pressure difference, bubble level and hydraulic system pressure. It is also applied to regulate the air-gas combustion ratio and automatic valve or detecting the breathing, and blood pressure in medical equipment. There are some more applications like micro-electronics, aviation and space, environmental protection project, biological engineering, intelligent building, HVAC, food and beverage and precision electronic processing

BENEFITS

- Motion of the pointer without inertia or drift
- No hysteresis
- Positive, negative or differential pressure can be measured
- Two pressure ports on the side and back, with three installation options for flexible and versatile applications.

TECHNICAL SPECIFICATIONS

| | |
|--------------------------|--|
| Pressure range | 0...30kPa |
| Pressure media | Air and non-flammable gases |
| Process connection | 1/8*NPT female thread high and low pressure(positive and negative pressure) connection, side and back both a pair,Other sizes available upon request |
| Protection class | IP66 |
| Ambient temperature | Ambient:-7...60°C(19.4...140°F) |
| Over-pressure protection | 110kPa...150kPa The rubber plug pops out automatically |
| Accuracy | 2% FS under 21°C(69.8°F) (>60Pa,3%; <60Pa,4%) |

CONTENTS OF DELIVERY

The deliver includes (in the case of individual packages)

The following part:

- 1 DPG51 Differential Pressure Gauge
- 1 Data sheet with installation information
- 1 Set of mounting accessories:
 - 3 Self-tapping screws
 - 2 Process connection
 - 4 Supporting legs
 - 4 Small screws
 - 2 Metal plugs



OPERATING RANGES

| Type | Pressure Range |
|------------|----------------|
| DPG51-30 | 0...30Pa |
| DPG51-60 | -30...30Pa |
| DPG51-60a | 0...60Pa |
| DPG51-120 | -60...60Pa |
| DPG51-125 | 0...125Pa |
| DPG51-250 | -125...125Pa |
| DPG51-250a | 0...250Pa |
| DPG51-300 | 0...300Pa |
| DPG51-500 | -250...250pa |
| DPG51-500a | 0...500Pa |
| DPG51-750a | 0...750Pa |
| DPG51-1000 | 0...1kPa |
| DPG51-2000 | 0...2kPa |
| DPG51-3000 | 0...3kPa |
| DPG51-5000 | 0...5kPa |
| DPG51-8000 | 0...8kPa |
| DPG51-30K | 0...30kPa |

(For other pressure ranges, please consult the factory.)

DIMENSIONS IN mm[in]

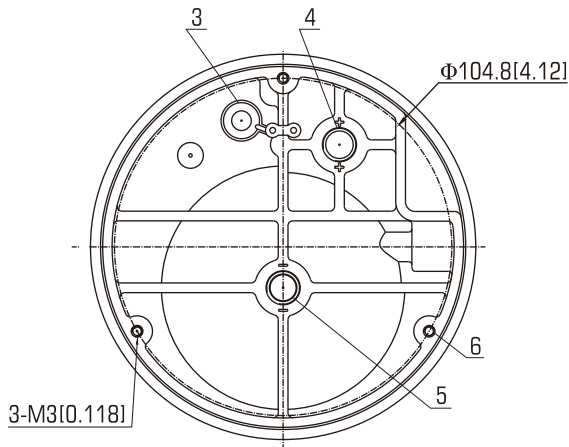
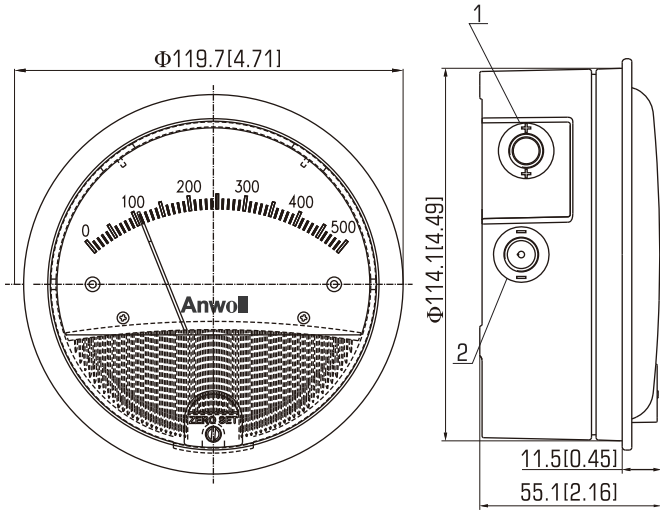


Fig.1. Dimensions of DPG51 Series pressure gauge

- 1,4 = Process Connection (High Pressure NPT1/8)
- 2,5 = Process Connection (Low Pressure NPT1/8)
- 3 = Pressure Relief Rubber
- 6 = Mounting Hole (3-M3[0.118])

OPTIONS / ACCESSORIES

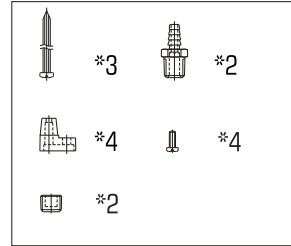


Figure 1

- 3 Self-tapping screws
- 2 Process connection
- 4 Supporting legs
- 4 Small screws
- 2 Metal plugs



CAUTION

Contains magnets, do not touch hydrogen!

Anwoll

ANWOLL INDUSTRIES, INC

5634 Grand Floral Blvd. Houston,
TX 77041 USA