

## Pressure Switch CPS23 Series

### ADJUST PRESSURE IN THE AIR COMPRESSOR TANK

#### PRODUCT DATA AND INSTALLATION INSTRUCTIONS

#### APPLICATION

CPS23 series pressure switches, this product is used for adjusting the pressure which in the compressor tank to operate between two preset pressure values. The pressure switch with an unloading valve prevents the air compressor from overloading and the handle is supposed to manually power off the compressor. The four-way base connection makes the installation of additional parts more convenient.

#### BENEFITS

- Choose to have a relief valve function to avoid compressor overload starting
- The four ports connector facilitates the installation of components such as safety valves
- The attached handle can cut off the compressor power manually

#### TECHNICAL SPECIFICATIONS

Pressure range	95...125-200psi
Pressure media	Air, non-flammable, non-hazardous and non-corrosive gas
Process connection	Single port/Female thread , Four ports/Female thread , Single port/male thread , Double female and male thread, NPT1/4,R1/4,G1/4
Switching capacity	26A at 120VAC,50HZ 20A at 240VAC,60HZ
Dielectric strength	No breakdown at 2500V for 1 minute
Contact version	SPST
Protection class	IP20
Unloading valve connection	Φ6.0 mm,Φ6.4 mm,Φ6.5 mm
Ambient temperature	-20...+80 °C [-4...176°F]

#### CONTENTS OF DELIVERY

The deliver includes (in the case of individual packages)

The following part:

- 1 CPS23 Micro Differential Pressure Switch
- 1 Data sheet with installation information



#### APPROVALS

CE

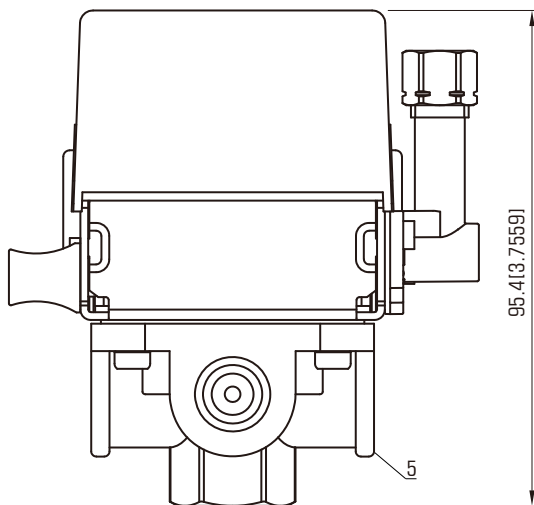
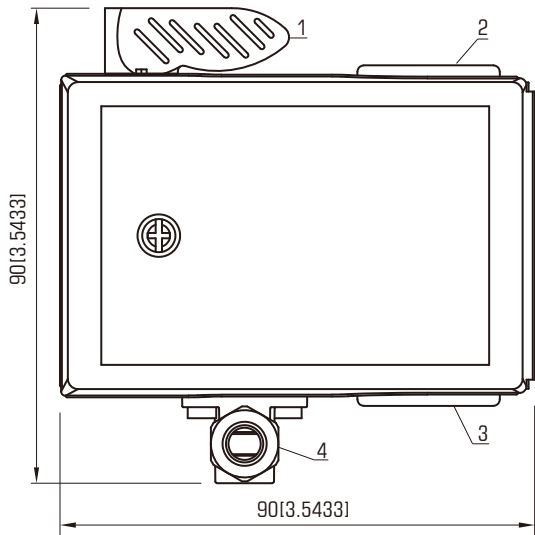
#### OPERATING RANGES

Model	Pressure Range	Differential Pressure Range	Maximum Working
125	95...125psi	25...65psi	200psi
135	100...135psi		
150	120...150psi		
175	145...175psi		
200	150...200psi		

Unit:psi

1bar=100kPa=0.1MPa=14.5psi

## DIMENSIONS IN mm[in]



### CAUTION

Switch off power before removing cover!

Fig.1. Dimensions of CPS23 Series pressure switches

- 1 = Hand handle
- 2, 3 = Inlet cable
- 4 = Unloading valve
- 5 = Four ports female thread

# Anwoll

## ANWOLL INDUSTRIES, INC

5634 Grand Floral Blvd. Houston,  
TX 77041 USA