

## CARBON MONOXIDE TRANSMITTER CMT76



### Product manual:

- Model
- Parameter
- Installation Notes
- Wiring Instructions
- Output Description
- Precautions

### Note important:

- The parameters involved are all measured under laboratory conditions, such as in the special environment, the parameters will cause deviation and error.
- This series of products can be customized, special requirements.
- Accessory selection depends on the actual configuration.
- To ensure safety and avoid loss. Power off during installation.

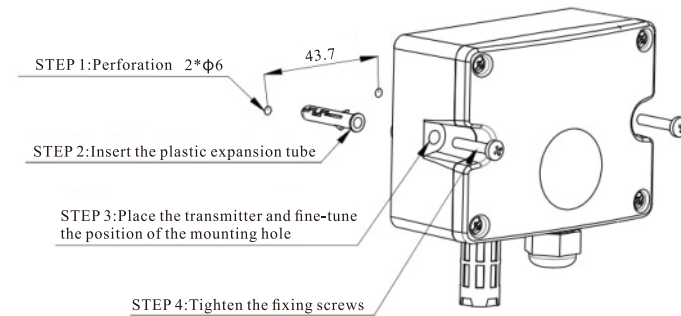
### Model

Product Name	Range	Output
CMT76	1	V0
	1=500ppm 2=1000ppm	V0=0-5V(3-wired) V10=0-10V(3-wired) A4=4-20mA( 2-wired) RS=RS-485(4-wired)

### Parameters

Output Mode	See logo
Measure concentration	See logo
Accuracy	±5%F.S@25°C
Minimum reading	0.1ppm/1ppm
Working temp	-10~50°C
Working humidity	15~90%RH (No condensation)
Working pressure	1atm(Standard Atmospheric Pressure)±10%
Storage temp	10~30°C
Working Voltage	10-30VDC (0-10V output requires 16-30VDC power supply)

### Installation Notes



## Wiring Instructions

Power	Red	Positive
	Black	Negative
RS485	Green	485-A
	White	485-B

### RS 485 Output

Power	Red	Positive
	Black	Negative
Output	Green	Current/voltage output +
	White	Current/voltage output -

### Analog Output

## Output Description

### 1. Protocol (RS485)

Communication default baud rate:9600, Data bits:8, Stop bits:1, Parity:None, Flow control:None

(1)03 Example of reading data:The following are read address 01 data and return data respectively

Address	Function code	Starting Address	No. of Registers		CRC16	
01	03	00 02	00	01	25	CA

Address	Function code	Data bytes	Data high	Data low	CRC16	
01	03	02	09	C4	B8	50

Description: The output concentration value =  $0x09*256+0xC4=2304+196=2500\dots250.0\text{ppm}$

(2)06 Example of writing data:The following are respectively writing 01 and returning data to the unknown address

Address	Function code	Starting Address	Data		CRC16	
00	06	00 05	00	01	59	DA

Address	Function code	Starting Address	Data		CRC16	
01	06	00 05	00	01	58	0B

Description: 0x00 is the broadcast address, the above is to modify the unknown address sensor address to 0x01

### (3) Register description

Register address	Content	Operating	Range	Remarks
0002	CO concentration	R	0~1000	0-500ppm : reading value/10
0004	Baud rate	R&W	0~4	1=2400, 2=4800, 0/3=9600 (default 0), 4=19200
0005	Slave ID address	R&W	0~255	Default: 0x01 0x00 is to set broadcast receiving address.

### 2. Analog Output

For example 1, if the range is 500ppm, the output type is 0~10V, when the output is 5V, the output concentration =  $5V/10V*500.0\text{ppm}=250.0\text{ppm}$

For example 2, if the range is 500ppm, 4~20mA output, and the output is 12mA, then the output concentration =  $((12\text{mA}-4\text{mA})/16\text{mA})*500.0\text{ppm}=250.0\text{ppm}$

### 3. Transmitter Calibration

After the transmitter has been running for a long time, the zero point may drift. You can calibrate it as follows (outdoor fresh air is generally 0ppm, which can be used as a reference): Method: Press and hold the button inside the transmitter for more than 7 seconds (away from its breathing), release it when the light flashes. Note: Before zero calibration, the transmitter should work continuously for more than 20 minutes in a 0ppm environment, and the return value is 0ppm after calibration.

## Precautions

- Recommended for underground garages, kitchens and other places where carbon monoxide gas is generated;
- Keep the transmitter away from heat sources and avoid direct sunlight;
- Please confirm before use:
  - whether the output voltage of the power supply is correct;
  - Positive and negative wiring methods;
  - product output wiring methods;
- Long-term use in an over-range and high-concentration gas environment can cause damage to the sensor.