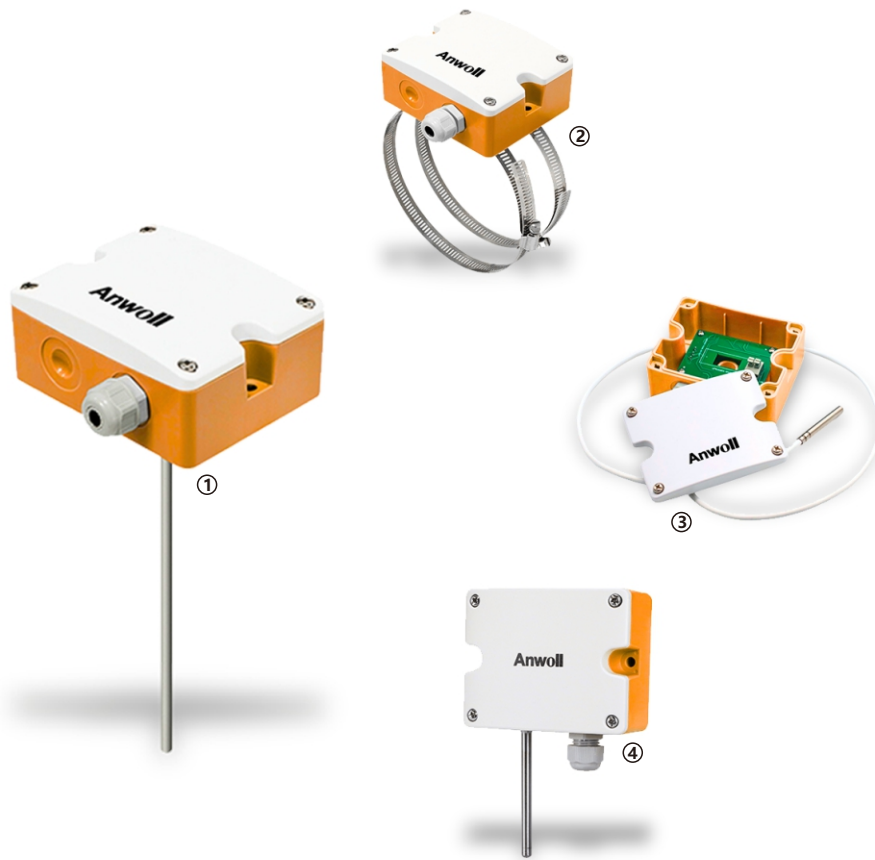


TEMPERATURE TRANSMITTER MODEL TT61



1)TT61 water pipe type 2)TT61 clamp type 3)TT61 split type 4)TT61 wall mounted type

The TT61 series temperature transmitter is a sensor specially designed for industrial applications . It is specially designed for lightning surge , electrostatic discharge , group pulse , pressure resistance,etc., and has strong anti-interference ability . There are five installation methods :wall mounted, airpipe/water pipe, split , and clamp . Three output modes of current , voltage, and thermal resistance are optional. Strong onsite trial installation capability . Spring screws and terminal posts are designed for quick installation. It can be widely used in computer

rooms , HVAC, buildings , storage and other places where temperature measurement and control are required.

Features

- Multiple signal output types, suitable for various processing equipment
- Five installation structures, suitable for various installation environments
- The protection level is Ip65

Technical parameter

General

Sensor	High-precision thermal resistance, see selection table (resistance output type)/PT1000, Class A (analog output type)
Accuracy	Typical 0.2...0.5°C@0/25°C, see order reference No. ±0.3°C@25°C, see temperature accuracy curve for details

Operating conditions

Housing material	PC housing, stainless steel probe (6mm) and casing
Temperature	-40...70°C, 0...95%RH (Non-condensing)
IP grade	IP65

Electrical overview

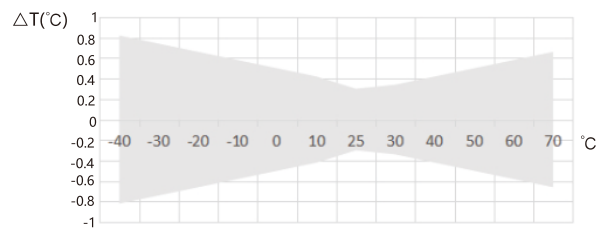
Output	Resistance value, please refer to the selection table and thermal resistance indexing table 4...20mA or 0...10VDC, 0...5VDC
---------------	---

Thermal resistance	Please check the selection table and thermal resistance indexing table
---------------------------	---

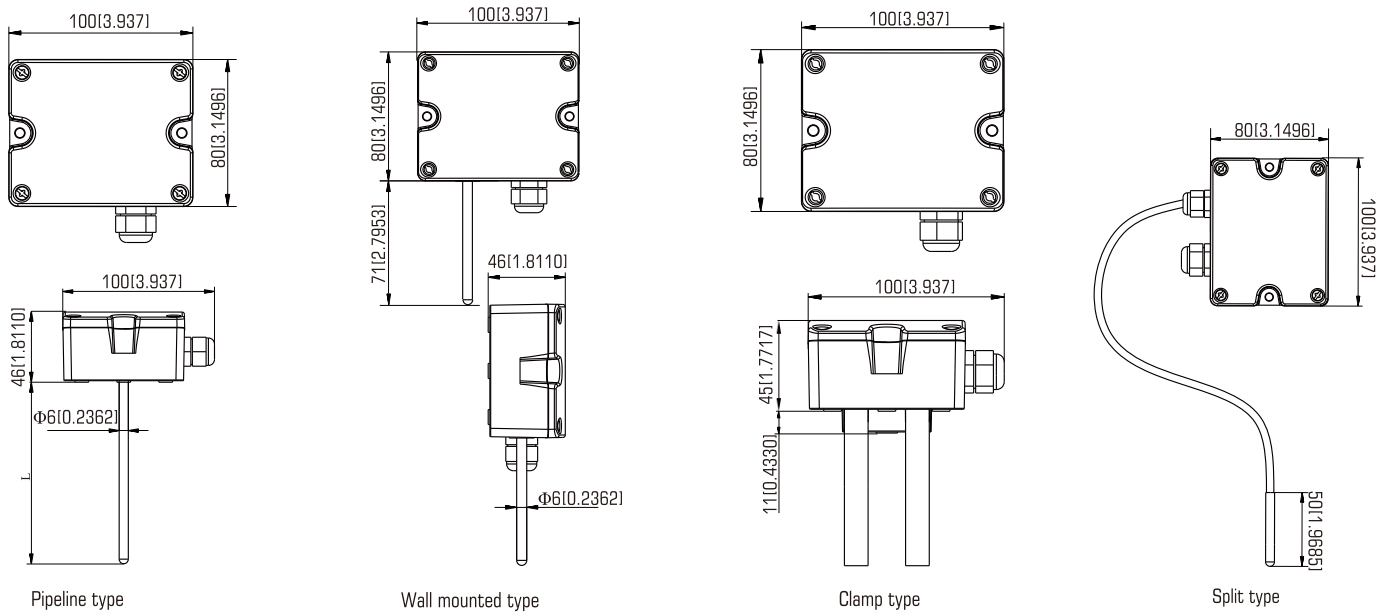
Power supply	Voltage type 15...35VDC/24VAC±20% Current type 18.5...35VDC (RL=500Ω) 8.5...35VDC (RL=0Ω)
---------------------	--

Output load	(Analog output type) ≤500Ω (Current type), ≥2KΩ (0...5V), ≥3KΩ (0...10V)
--------------------	---

Temperature Accuracy Curve (Analog output model)



Dimensions in mm(in)



Ordering information

Example part number: TT61-2111

Model TT61 series temperature transmitter, Installation type Duct Type, Output PT1000, ±0.2°C@0°C, Temperature range 0...50°C, Probe length 100MM.

T T 6 1 - 2 1 1 1
① ② ③ ④ ⑤

①	②	③	④	⑤																																										
Name	Installation type	Output	Temperature range	Probe length (TT61-2/3)																																										
TT61	<table border="1"> <tr><td>1</td><td>Wall Mounted Temperature Transmitter</td></tr> <tr><td>2</td><td>Duct Type Temperature Transmitter</td></tr> <tr><td>3</td><td>Water Pipe Type Temperature Transmitter</td></tr> <tr><td>4</td><td>Split Type Temperature Transmitter</td></tr> <tr><td>5</td><td>Clamp Type Temperature Transmitter</td></tr> </table>	1	Wall Mounted Temperature Transmitter	2	Duct Type Temperature Transmitter	3	Water Pipe Type Temperature Transmitter	4	Split Type Temperature Transmitter	5	Clamp Type Temperature Transmitter	<table border="1"> <tr><td>V0</td><td>0...10VDC (three-wire), ±0.3°C@25°C</td></tr> <tr><td>A4</td><td>4...20mA (two-wire), ±0.3°C@25°C</td></tr> <tr><td>V5</td><td>0...5VDC (three-wire), ±0.3°C@25°C</td></tr> <tr><td>0</td><td>PT1000, ±0.2°C@0°C</td></tr> <tr><td>1</td><td>PT100, ±0.2°C@0°C</td></tr> <tr><td>2</td><td>NTC20K, ±0.3°C@25°C</td></tr> <tr><td>6</td><td>NTC10K, ±0.3°C@25°C</td></tr> </table>	V0	0...10VDC (three-wire), ±0.3°C@25°C	A4	4...20mA (two-wire), ±0.3°C@25°C	V5	0...5VDC (three-wire), ±0.3°C@25°C	0	PT1000, ±0.2°C@0°C	1	PT100, ±0.2°C@0°C	2	NTC20K, ±0.3°C@25°C	6	NTC10K, ±0.3°C@25°C	<table border="1"> <tr><td>0</td><td>Null</td></tr> <tr><td>1</td><td>0...50°C</td></tr> <tr><td>2</td><td>-20...60°C</td></tr> <tr><td>8</td><td>Others (Customer specified)</td></tr> </table>	0	Null	1	0...50°C	2	-20...60°C	8	Others (Customer specified)	<table border="1"> <tr><td>0</td><td>65MM</td></tr> <tr><td>1</td><td>100MM</td></tr> <tr><td>2</td><td>200MM</td></tr> <tr><td>3</td><td>150MM</td></tr> <tr><td>8</td><td>Others (Customer specified)</td></tr> </table>	0	65MM	1	100MM	2	200MM	3	150MM	8	Others (Customer specified)
1	Wall Mounted Temperature Transmitter																																													
2	Duct Type Temperature Transmitter																																													
3	Water Pipe Type Temperature Transmitter																																													
4	Split Type Temperature Transmitter																																													
5	Clamp Type Temperature Transmitter																																													
V0	0...10VDC (three-wire), ±0.3°C@25°C																																													
A4	4...20mA (two-wire), ±0.3°C@25°C																																													
V5	0...5VDC (three-wire), ±0.3°C@25°C																																													
0	PT1000, ±0.2°C@0°C																																													
1	PT100, ±0.2°C@0°C																																													
2	NTC20K, ±0.3°C@25°C																																													
6	NTC10K, ±0.3°C@25°C																																													
0	Null																																													
1	0...50°C																																													
2	-20...60°C																																													
8	Others (Customer specified)																																													
0	65MM																																													
1	100MM																																													
2	200MM																																													
3	150MM																																													
8	Others (Customer specified)																																													

Please make separate remarks for special requirements.