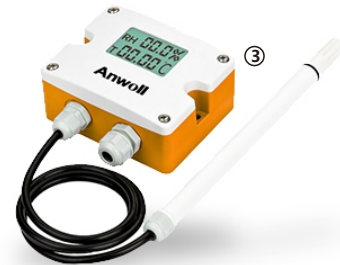


TEMPERATURE AND HUMIDITY TRANSMITTER MODEL THT66



1)THT66-2 duct type temperature and humidity transmitter 2)THT66-1 wall-mounted temperature and humidity transmitter
3)THT66-3 split type temperature and humidity transmitter

THT66 series temperature and humidity transmitter is a transmitter specially designed for industrial applications it has three installation methods: wallmounted, duct type, and split. The three output modes of current, voltage and RS485 are optional. The on-site adaptability is strong, and the terminal design is suitable for rapid installation,it can be widely used in computer rooms, HVAC, buildings, warehousing and other places where temperature an humidity measurement is required.

Features

- Multiple signal output types, suitable for various processing equipment
- Thress installation structures, suitable for various installation environments
- The protection level is Ip65

Technical parameter

General

Relative humidity

Sensor	Digital type
Measuring range	0%...100%RH
Output	Output:RS485/Modbus,0...10VDC,4...20mA optional
Accuracy	±3%@ 20°C & 20...80%RH
Response time	≤10s(20°C,slow flow air)

Temperature

Sensor	Digital type or thermal resistance , see Order Ref No
Measuring range	0...50°C,-20...60°C etc
Output	Output:RS485/Modbus,0...10VDC,4...20mA optional
Thermal resistance	See order ref No. and thermal resistance Indexing table
Accuracy	Digital type: ±0.3°C@0...60°C Thermal resistance : typical±0.2...0.4°C@25°C, see Order Ref No.

Operating conditions

Housing material PC shell, PA6 probe rod and polymer filter
(optional stainless steel probe and stainless steel sintered filter)

Temperature Working:-20...60°C,5%...95%RH(Non-condensing)

IP grade IP65

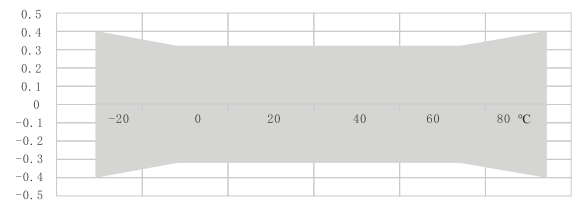
Electrical overview

Power supply Voltage type/RS-485:15...35VDC/24VAC+20%
(AC power supply requires isolated power supply)

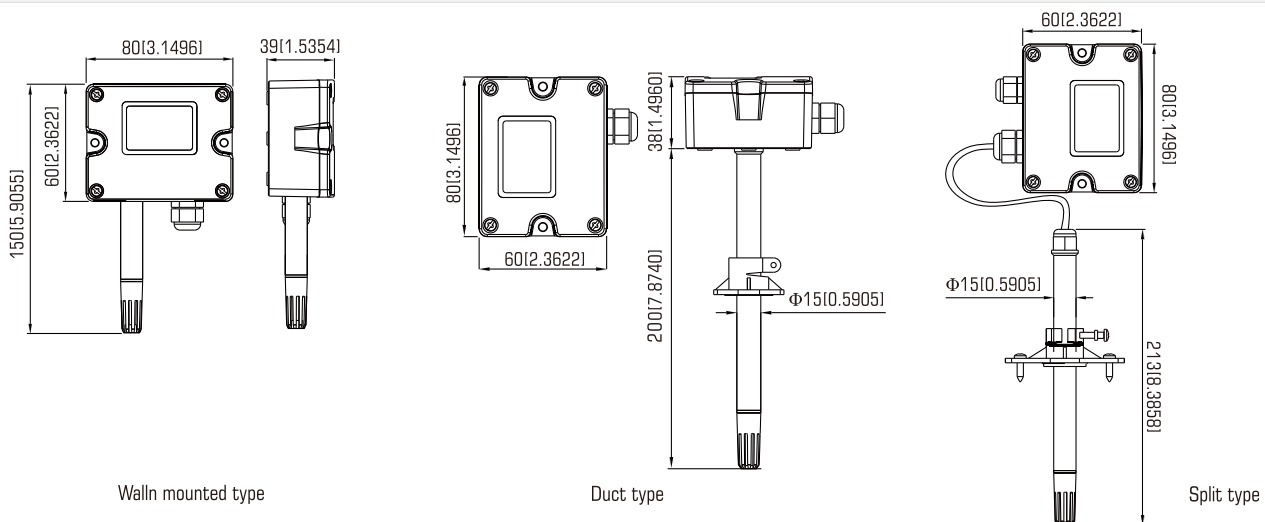
Current type: 19.5...35VDC(RL=500Ω)/9.5...35VDC(RL=0Ω)

Output load ≤250Ω(Current type), ≥2KΩ(Voltage type)

Digital sensor temperature accuracy curve



Dimensiones in mm(in)



Ordering information

Example part number:THT66-2A4V021

Model THT66 Temperature and Humidity Transmitter,Installation type Duct Type,Humidity Output 4~20mA(2-wire),Temperature Output 0~10VDC(3-wire),Temperature range -20~60°C,Display LCD display.

T H T 6 6 - 2 A 4 V 0 2 1

①	③	④	⑤	⑥
Name	Humidity Output	Temperature Output	Temperature range	Display
THT66	V0 0...10VDC(three-wire) A4 4...20mA(two-wire) RS RS485/Modbus C5 0...5VDC(three-wire)	V0 0...10VDC(3-wire) A4 4...20mA(2-wire) RS RS485/Modbus C5 0...5VDC(3-wire) 0 PT1000,±0.2°C@0°C 1 PT100,±0.2°C @0°C 2 NTC20K,±0.4°C@25°C 6 NTC10K,±0.4°C@25°C	0 Null 1 0...50°C 2 -20...60°C 8 Others (Customer specified)	0 None 1 LCD display
②				
Installation type				
1 Wall Mounted Temperature Transmitter				
2 Duct Type Temperature Transmitter				
3 Split Type Temperature Transmitter				

* Please make separate remarks for special requirements.