

SMALL PRESSURE SWITCH MODEL SPS11



SPS11 small pressure switch mode

1)SPS11-22 Small pressure switch 2)SPS11-12 Small pressure switch 3)SPS11-27 Small pressure switch

Features

The SPS11 switches are fixed set point, factory-calibrated pressure switches. They have an automatic reset and can have normally open or normally closed contacts. All metallic wetted components make the SPS11 switch compatible with a multitude of chemicals in liquid or gas form. It offers numerous types of electrical terminations, from different sizes and styles of push-on terminals to wire leads with an array of standard industry connectors.

- Switch with automatic reset design
- Suitable for applications such as air and water pressure control, internal circuitry of electrical refrigeration equipment, indoor air conditioning, or indoor cooling devices
- Wide pressure setting range, suitable for different requirements

Technical parameter

General

Basic information

Pressure set range (gauge pressure)	From 0.02 MPa to 6.5 MPa; below 1.0 MPa is considered low pressure, while 1.0 MPa and above is considered high pressure
Process connection	M threads (below M10), M threads (above M12), NPT threads, R threads, G threads, UNF threads, and copper pipes, etc
Burst pressure	34.5MPax1min, no damage or leakage
Mechanical lifespan (switching cycles)	100,000
Electrical lifespan (switching cycles)	30,000
Tests/Admissions	UL

Electrical overview

Switching load	24...250VAC/0.02...6A; 8...36VDC/0.02...3A 600VAC 0.02...3A(UL)
----------------	--

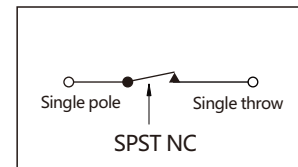
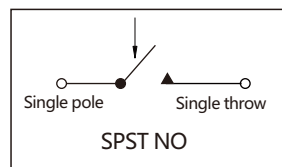
120VAC/6A;250VAC/6A(CE);250VAC/3A(CQC)

Under the condition of ensuring electrical lifespan without pressure difference switch, the maximum current is 0.5A

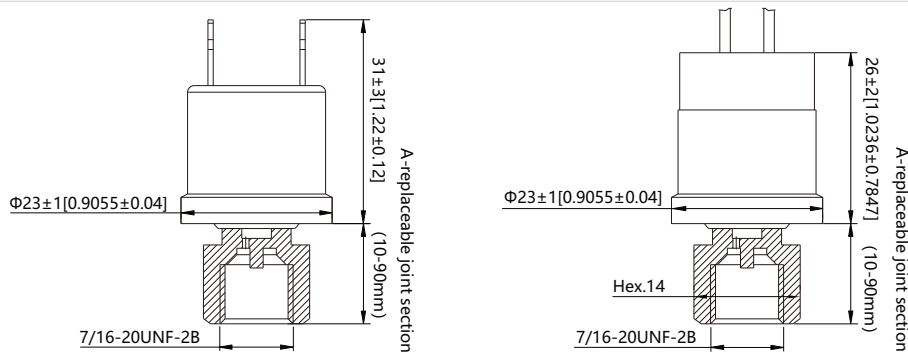
Operating conditions

Medium	Air,water,motor oils,transmission oils, jet fuels and other similar Hydrocarbon Media
Temperature	Ambient:-40...+65°C[-40...+149°F](Low pressure); -40...+120°C[-40...+248°F](High pressure) Medium:-40...+80°C[-40...+176°F](Low pressure); -40...+135°C[-40...+275°F](High pressure)
IP grade	IP67

Contact version



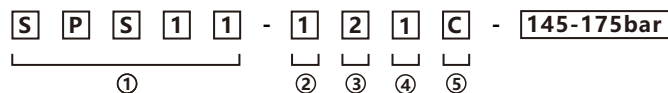
Dimensiones in mm(in)



Ordering information

Example part number:SPS11-121C-145-175bar

Model SPS11 small pressure switch,electrical connections:wire leads,process connection:M thread(below M10),base material:brass, contact version:SPST-NC,Pressure setting:Reset pressure 145psi,Action pressure 175psi.



Name	Action Pressure	Tolerance	Proof Pressure
SPS11	0.02<<0.6MPa	±0.03MPa	1.5MPa
	0.6<<1.0MPa	±0.05MPa	2.0MPa
	1.0<<2.0MPa	±0.07MPa	3.0MPa
	2.0<<3.0MPa	±0.10MPa	4.0MPa
	3.0<<4.0MPa	±0.15MPa	5.5MPa
	4.0<<5.0MPa	±0.20MPa	6.5MPa
	5.0<<6.5MPa	±0.25MPa	8.0MPa

Electrical Connections	
1	Wire leads
2	Blade

Process Connection	
0	Other (Insert rod/Barb)
2	M thread (below M10)
3	M thread (below M12)
4	NPT thread
5	R thread
6	G thread
7	UNF thread
8	Purple copper tube

Base Material	
1	Brass
2	Stainless steel
8	Purple copper

Contact Version	
C	SPST-NC
O	SPST-NO

1bar=100kPa=0.1MPa=14.5psi

Please make separate remarks for special requirements.