

PRESSURE SWITCH MODEL HPS41



1)HPS41 front view 2)HPS41 back view 3)HPS41 side view

HPS41 series pressure switches are mainly used to control pressure of boiler or water tower regulating system. When the system pressure exceed the setting point, the switch will cut off the circuit for protection. With SPDT contact arrangement, HPS41 switch can detect the pressure change and shift the internal status accordingly to control the on/off of external circuits, which is available for the pressure control, limit and alarm of non-hazardous liquid, gas and steam.

Features

- Suitable for controlling the pressure regulation of boilers and water towers
- Manual and automatic reset functions
- Adjustable pressure and differential pressure

Technical parameter

General

Basic information

Pressure range	15...100-2070kPa(2...15-300psi)
Process connection	NPT1/4,G1/4,R1/4 The threads can be customized
Cable diameter	22mm
Mechanical lifespan (switching cycles)	50,000
Electricat lifespan (switching cycles)	30,000

Electrical overview

Switching load	FL5.1A/LR30.6A at 240VAC FL8A/LR48A at 120VAC
Dielectric strength	2000V/one minute without breakdown

Installantion arrangement

Installation torque	2N*M
Factory set	Vertical, pressure connections facing downwards

Operating conditions

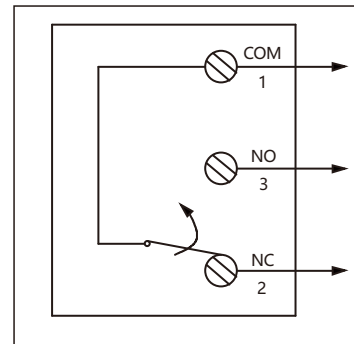
Medium Air,water,oil,steam,liquid and other non-corrosivemedia,
chlorinecontaining liquid is not available

Temperature Medium:-40...+180°C[-40...+365°F]
Ambient:-29...+66°C[-20.2...+150.8°F]

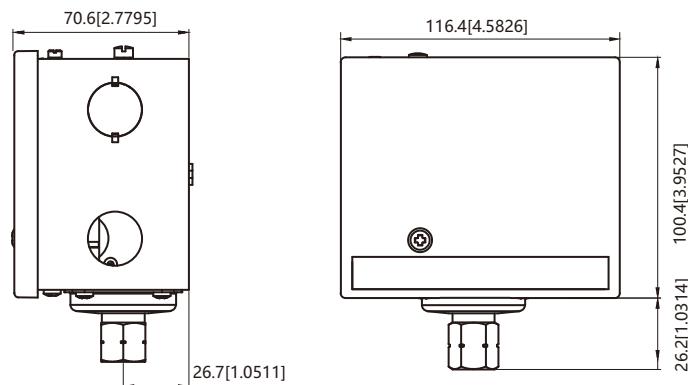
Pressure diaphragm Stainless steel,corrugated tube

Thermal material Brass

Contact version



Dimensiones in mm(in)



Ordering information

Example part number:HPS41

Name	Model	Pressure Range		Differential Pressure Range		Maximum Working Pressure	
		kPa	psi	kPa	psi	kPa	psi
HPS41	15	15...100	2...15	15...40	2...6	170	25
	50	35...350	5...50	40...100	4...14	590	85
	150	70...1035	10...150	70...150	10...22	1550	225
	300	140...2070	20...300	140...345	20...50	2410	350

1bar=100kPa=0.1MPa=14.5psi

Please make separate remarks for special requirements.