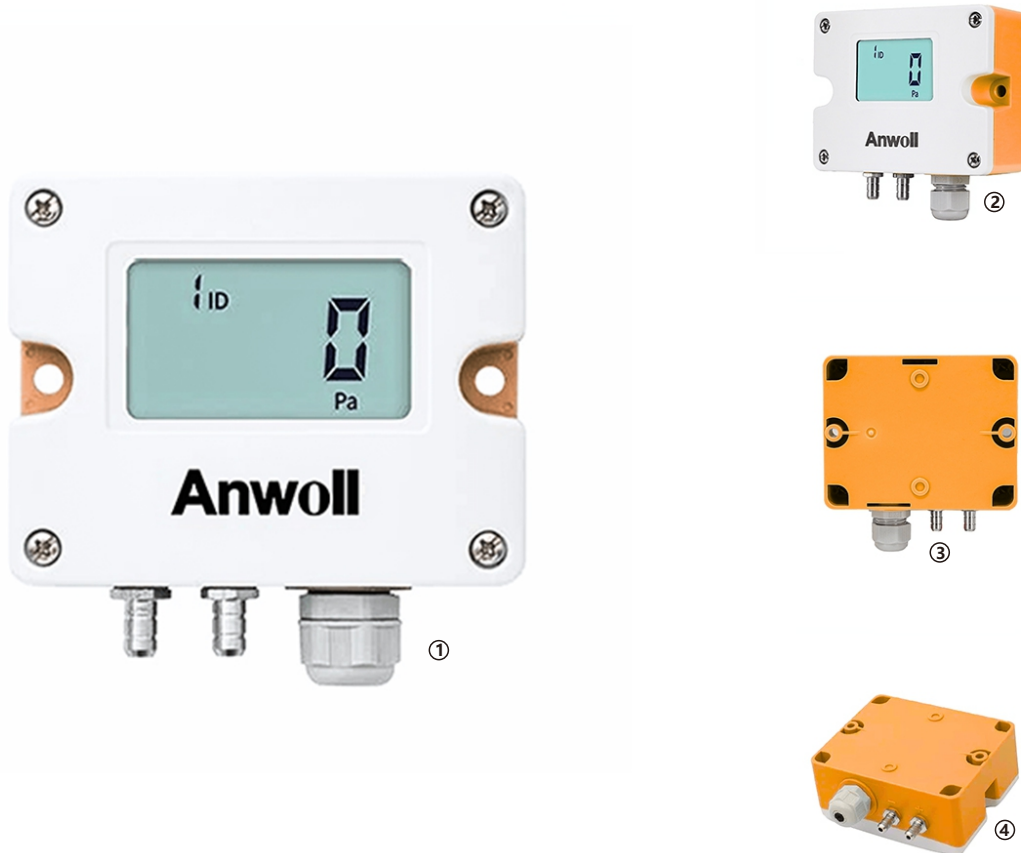


# MICRO DIFFERENTIAL PRESSURE TRANSMITTER MODEL DPT51



1)DPT51 main view 2)DPT51 side view  
3)DPT51 dorsal view

DPT51 differential pressure transmitter is the latest release. It has flexibility of multi-rangesensor, high function of single range sensor, and is ideal for industrial application. The differential pressure transmitter has built in multiple optional pressure range and unit selection, and is easily to adjust through built-in DIP switch. The shell protect is Ip65 and equipped with stainless steel conduit for convenient wire arrangement. It is widely used in HVAC, energy management system, VAV and fan control, clean room pressure, smokehood control, oven pressurization, furnace ventilation, furnace ventilation control etc.

## Features

- Rich signal output types
- Accuracy up to  $\pm 1\%$ F.S
- The protection level is Ip65

## Technical parameter

### General

#### Basic information

Measured medium	Air or Neutral gas
Measurement range	±100Pa,±1000Pa,±10000Pa
Accuracy	±1%F.S
Overload pressure	5kPa(DPT-6);10kPa(DPT-0);80kPa(DPT-2)
Response time	0.5s(Default)/1.0s/2s/4s
Pressure connection	Metal barbed interface,φ6.2mm
Housing material	UL94-V0/PC
Display	LCD backlight digital display

### Operating conditions

Temperature	Operation:-20...+70°C[-4...+158°F]
	Compensated:-10...+60°C[-14...+140°F]
	Storage:-40...+70°C[-40...+158°F]

IP grade	IP65
----------	------

### Electrical overview

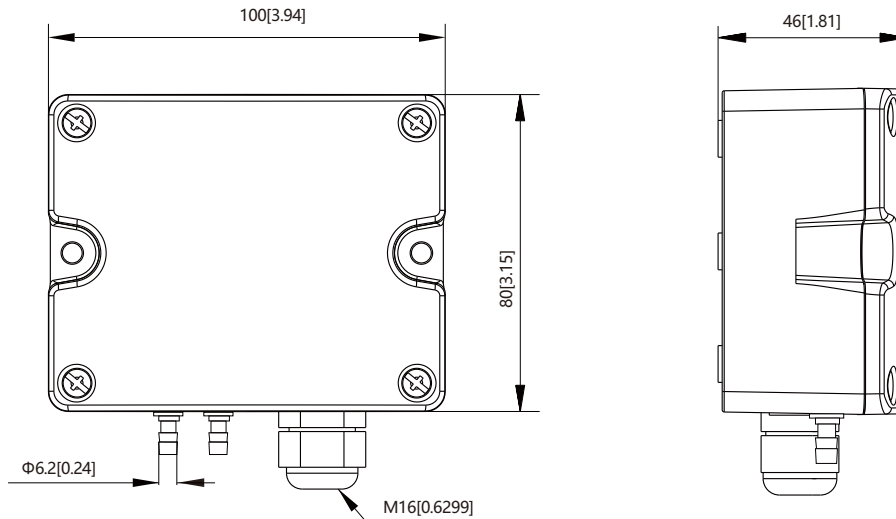
Power consumption	≤1.5W
-------------------	-------

Communication	RS-485 standard interface,Modbus RTU protocol
---------------	---

Electromagnetic compatibility	EN 61326-1
-------------------------------	------------

Electrical properties	2-wired	3-wired	4-wired	6-wired
Output signal	4~20mA(No backlight)	0...5VDC/0...10VDC	RS485	4...20mA&0...10VDC
Power supply	12...30 VDC	12...30VDC/24VAC+20%	9...30VDC	12...30VDC/24VAC+20%

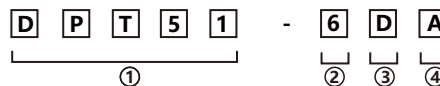
### Dimensiones in mm(in)



### Ordering information

#### Example part number:DPT51-6DA

Model DPT51 differential pressure transmitter,Measurement Range -100~100Pa,Display With display, Output 4...20mA and 0...10VDC(Simultaneous output).



Name
DPT51

Measurement Range
6 -100...100Pa
0 -1000...1000Pa
2 -10000...10000Pa

Display
D With display
N Without display

Output
A 4...20mA and 0...10VDC(Simultaneous output)
B 4...20mA(two-wired)(without backlight)
C 0...10VDC(3-wired)
D 0...5VDC(3-wired)
E RS-485 communication
E1 RS-485 communication(isolation output)

Accuracy
±1.0%FS

\* Please make separate remarks for special requirements.