

DIFFERENTIAL PRESSURE GAUGE MODEL DPG51



1)DPG51 front view 2)DPG51 back view 3)DPG51 side view

The DPG51 differential pressure gauge is widely used for measuring the fans or blowers pressure, filter resistant, wind speed, furnace gas pressure, Orifice pressure difference, bubble level and hydraulic system pressure. It is also applied to regulate the air-gas combustion ratio and automatic valve or detecting the breathing, and blood pressure in medical equipment. There are some more applications like micro-electronics, aviation and space, environmental protection project, biological engineering, intelligent

uilding, HVAC, food and beverage and precision electronic processing.

Features

- Motion of the pointer without inertia or drift
- No hysteresis
- Positive, negative or differential pressure can be measured
- Two pressure ports on the side and back, with three installation options for flexible and versatile applications

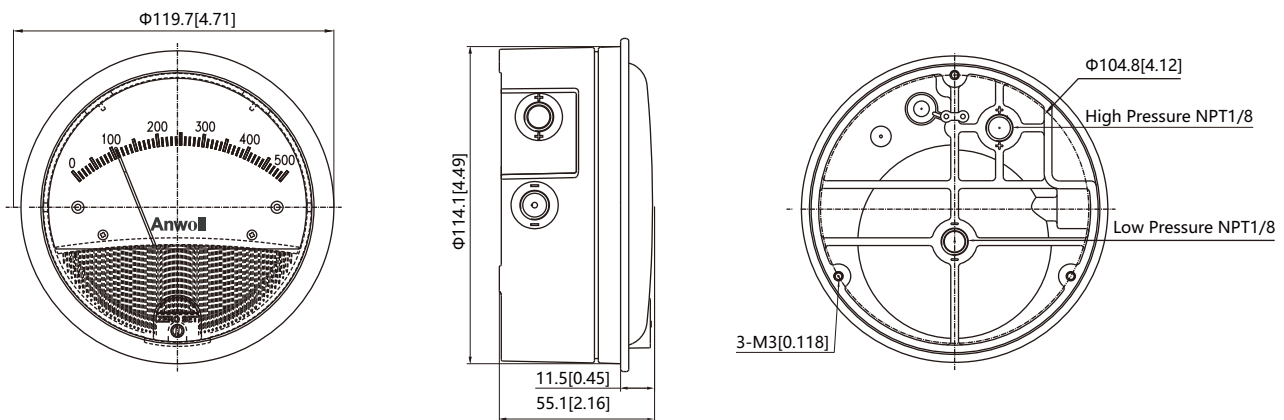
Technical parameter

General

Basic information

Pressure range	0...10kPa	IP grade	IP66
Over-pressure protection	110kPa...150kPa, the rubber plug pops out automatically	Accuracy	±2% FS under 21.1°C[70°F] (≤125Pa ±3%, ≤60Pa ±3Pa)
Process connection	1/8*NPT female thread high and low pressure(positive and negative pressure) connection, side and back both a pair	Operating conditions	
		Medium	Air and non-flammable gases
		Temperature	Ambient:-6.67...+60°C [+20...+140°F]

Dimensiones in mm(in)



Ordering information

Name	Model	Range	Model	Range
DPG51	30Pa	0...30Pa	8kPa	0...8kPa
	±30Pa	-30...30Pa	10kPa	0...10kPa
	60Pa	0...60Pa	0.5inWC	0...0.5inWC
	±60Pa	-60...60Pa	1inWC	0...1inWC
	125Pa	0...125Pa	2inWC	0...2inWC
	±125Pa	-125...125Pa	3inWC	0...3inWC
	250Pa	0...250Pa	5inWC	0...5inWC
	300Pa	0...300Pa	10inWC	0...10inWC
	±250Pa	-250...250Pa	15inWC	0...15inWC
	500Pa	0...500Pa	5mmWC	0...5mmWC
	750Pa	0...750Pa	6mmWC	0...6mmWC
	1kPa	0...1kPa	10mmWC	0...10mmWC
	2kPa	0...2kPa	25mmWC	0...25mmWC
	3kPa	0...3kPa	30mmWC	0...30mmWC
5kPa	0...5kPa	50mmWC	0...50mmWC	

1Pa = 0.001kPa=0.10197mmWC
1inWC=249.08891Pa

Please make separate remarks for special requirements.