

# CARBON DIOXIDE TRANSMITTER MODEL CDT71



1)CDT71 front view 2)CDT71 internal structure diagram  
3)CDT71 back view

CDT71 Wal-mounted Carbon Dioxide Transmitter is based on the fact that different gases have different absorption capabilities for infrared light in a specific band. It measures the concentration of the measured gas by measuring the degree of infrared light absorption. Compared with electrochemical sensors, it has the characteristics of long life and good stability, wide power supply range and power supply antireverse connection protection. It is suitable for indoor air quality detection, air conditioners, air purifiers, vegetable greenhouses and other occasions to measure carbon dioxide gas.

## Features

- Multiple signal output types, suitable for various processing equipment
- Up to 5 years of service life
- The protection level is Ip6X

## Technical parameter

### General

#### Basic information

Measured concentration	$\pm(40\text{PPm}+3\%\text{Fs})@25^{\circ}\text{C}$
Preheat time	2min(available)-10min(maximum accuracy)
Accuracy	0-2000PPM/0-5000PPM/0-10000PPM
Service life	>5 years

### Operating conditions

Working temperature	-10°C~50°C
Working humidity	0-80%RH(no condensation)
IP grade	IP6X

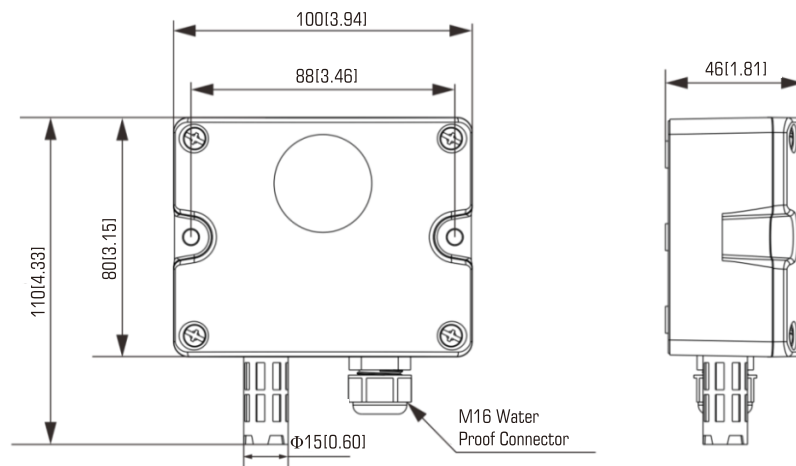
### Electrical overview

Electrical properties	3-wired			4-wired
Output signal	4...20mA	0...5V	0...10V	RS485
Working voltage	10...30Vdc	10...30Vdc	16...30Vdc	10...30Vdc

### Wiring instructions

RS485 digital output type wiring			Voltage/Current analog output type wiring		
Power supply	Red	Positive power	Power supply	Red	Positive power
	Black	Negative power		Black	Negative power
Communication	Green	485-A	Communication	Green	Voltage/Current output positive
	White	485-B		White	Voltage/Current output negative

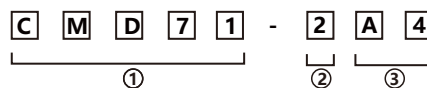
### Dimensiones in mm(in)



### Ordering information

#### Example part number: CDT71-2A4

Model CDT71 Wal-mounted Carbon Dioxide Transmitter ,Range 5000ppm,output 4...20mA.



① Model	② Range	③ Output
CDT71	1 2000ppm	V0 0...5V
	2 5000ppm	V10 0...10V
	3 10000ppm	A4 4...20mA
		RS RS485/Modbus

\* Please make separate remarks for special requirements.