

# AIR SOCKET SWITCH MODEL ASS62



ASS62 air switch button color

1)PVD treatment on brass surface (circular pattern) 2)Rose Gold (PVD Panel) 3)Nickel pated Brass  
4)Brushed stainless steel 5)Black antique copper wire drawing (circular pattern) 6)Dot plated matte black

ASS62 air socket switch is provided with a snap action switching for higher current capacity. It can be used together with air button for remote control purpose, which is widely used in food waste disposer, pumps for swimming pools and spas, hot tubs, sanitary equipment, medical equipment etc.

## Features

- Suitable for kitchen waste disposal, swimming pools, hot springs, cleaning equipment, etc
- Use as remote control device that works in conjunction with pneumatic buttons
- Only for indoor use

## Technical parameter

### General

#### Basic information

Gas tightness	Under 50psi pressure, no leakage phenomenon
Pressure range	<1.8psi
Air tube	Air tube length optional
Tests/Admissions	UL60730

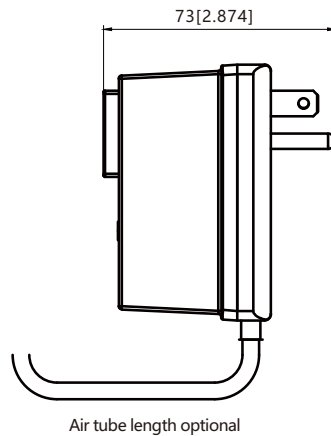
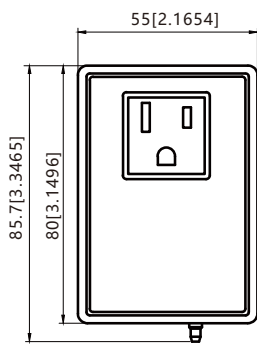
#### Electrical overview

Switching load	15A at 120VAC
Dielectric strength	1500V

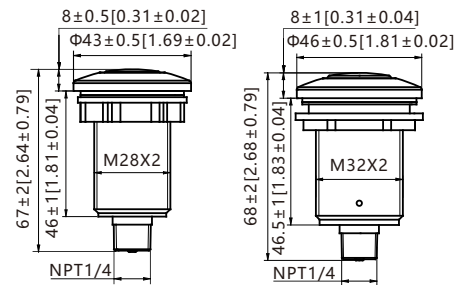
### Operating conditions

Temperature	Ambient:-10...+60°C[+14...+140°F]
-------------	-----------------------------------

### Dimensiones in mm(in)

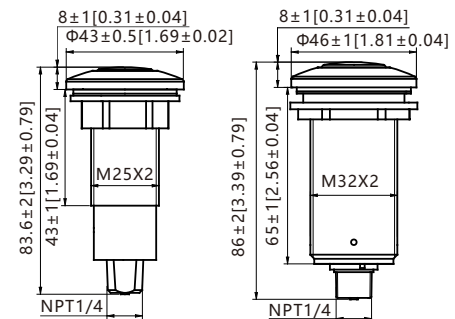


Air tube length optional



A: M28 short button

B: M32 short button



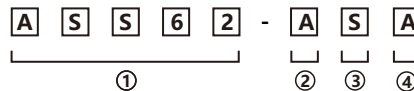
C: M25 long button\*

D: M32 long button

### Ordering information

#### Example part number: ASS62-ASA

Model ASS62 air socket switch, button type: M28 short button; button color: Nickel pated Brass, air tube length: 1m.



①

Name
ASS62

②

Button Type	
A	M28 short button
B	M32 short button
C	M25 long button*
D	M32 long button

③

Button Color	
B	PVD treatment on brass surface (circular pattern)
R	Rose Gold (PVD Panel)
S	Nickel pated Brass
G	Brushed stainless steel
B	Black antique copper wire drawing (circular pattern)
M	Dot plated matte black
O	Other colors can contact the factory

④

Air Tube Length	
A	1M
B	2M
C	3M
D	Other lengths can be customized

\* This button is designed specifically for small hole countertops, with low air pressure and only compatible with 1-meter air pipes. If the length of the trachea exceeds this specification, the switch may not be activated.