

ELECTROMAGNETIC FLOWMETER MODEL EFM61



The main function of the EFM61 electromagnetic flowmeter is to measure the flow of conductive fluid. It uses the principle of electromagnetic induction to calculate the flow rate of a conducting fluid by measuring the electromotive force induced by an applied magnetic field. Electromagnetic flowmeters can measure positive and negative flow, display instantaneous flow and cumulative flow, and are suitable for a variety of conductive media, such as liquids and liquid-solid two-phase suspension liquids.

Features

- High accuracy, Linearity and Stability.
- Good reliability and Anti-interference performance.
- Good pressure sealing and High intelligence.
- No pressure loss, lower requirements for straight pipe section.
- Good corrosion resistance and wear resistance.
- The converter can be in the same shape or separate form with the sensor.
- Two-way measurement system, which can measure forward flow and reverse flow.
- Special production process and high quality materials are adopted to ensure that the performance of products remains stable for a long time.

Technical parameter

General

Basic information

Latus rectum	10...3000mm
Comprehensive precision	0.5
Nominal pressure	1.6MPa,1.0MPa,0.6MPa
Lining material	Neoprene rubber, polytetrafluoroethylene, polyammonia-vinegarrubber, polyperfluorinated ethylene propylene, PFA, ceramics, etc
Connecting flange material	Carbon steel,stainless steel (304,316,316L)
Transmission distance	Split type electromagnetic flowmeter. The sensor and converter are connected by a signal cable.the cable length should be less than 100m
Peak flow rate	15m/s

Operating conditions

Temperature	Environmrnt:-25...60°C[-13...+140°F]
IP grade	IP65,IP68

Electrical overview

Output signal	4...20mA,HART,RS485
Power supply	220VAC,24VDC

Signal electrode form Fixed, scraper type

Electrical connection Terminal

Fluid conductivity $\geq 50\mu\text{S/cm}$

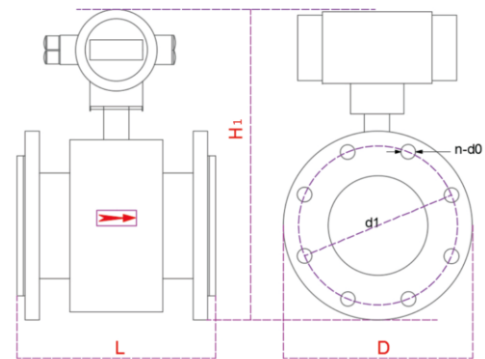
Consumed power < 20W

Electrode material 316L,HastelloyB,HastelloyG,Titanium, tantalum,platinum-iridium alloy, tungsten carbide

Ground ring material Stainless steel 1Cr18Ni9Ti

Number of electrodes Standard 3 electrodes
(two measuring electrodes, one impact electrode)

Dimensiones in mm(in)



Ordering information

Example part number:EFM61-0.4311122LB

Model EFM61 electromagnetic flowmeter, Flange size (DN2200-DN3000), Lining material polyurethane, Electrode materials Stainless steel 0Cr18Ni12Mo2Ti, Shell protection Ip65, Explosion-proof marks Exdm IICT4 (No acetylene) (A shape, I P65, Magnetic bond or no display), Attachment None, Structure Eh A shape, Chinese and English Menu, Power 11-40VDC, Converter form LB Key, double line display, output standard, RS485, HART

E F M 6 1 - **0 . 4 3 1 1 1 1 2 2 L B**

① Model EFM61	④ Electrode materials 1 Stainless steel 0Cr18Ni12Mo2Ti 2 The type of alloyB 3 The type of alloyC 4 Titanium 5 Platinum-iridium alloy 6 Tantalum 7 Stainless steel coated with tungsten carbide	⑤ Shell protection 1 Ip65 2 IP68+1P65 (The sensor is polychloroprene rubber sensor IP68+ converter IP65 or polyurethane -explosion-proof separation type is optional)	⑨ Power 1 85-265V 45-400Hz 2 11-40VDC
② Diameter 1.6 (DN10-DN200) 1.0 (DN250-DN1000) 0.6 (DN1200-DN2000) 0.4 (DN2200-DN3000) XX Special customized	⑦ Attachment 0 None 1 Grounding electrode 2 Ground flange 3 Inlet protection flange 4 Electrode scraper mechanism	⑥ Explosion-proof marks 0 None 1 Exdm IICT4 (No acetylene) (A shape, I P65, Magnetic bond or no display) 2 Exdm IICT4 (No acetylene) (separation type, IP65, Magnetic bond or no display) 3 Exdm IICT4 (No acetylene) (separation type, I P65, Converter in safe zone)	⑩ Converter form MA MA Key, double line display, output standard MB MB Key, double line display, output standard, RS485 LA LA Key, double line display, output standard LB LB Key, double line display, output standard, RS485, HART AA AA Key, English menu, double line display, output standard, RS232
③ Lining material 1 Teflon(HG) 2 Polychloroprene rubber 3 polyurethane 4 Polyperfluoroethylene propylene 5 And network PFA	⑧ Structure 1 Erseparation type, Chinese and English Menu 2 Eh A shape, Chinese and English Menu Separate type special cable with meter 10M, More than 10 M needs to be customized.		

Please make separate remarks for special requirements.

© Anwoll industries, Inc. All rights reserved. The Anwoll name and logo are registered trademarks of Anwoll industries, Inc. | www.anwoll.com | sales@anwoll.com