

THERMOSTAT MODEL TS34



1)TS34 side view 2)TS34 capillary view 3)TS34 adjusting screw view

TS34 are used for regulation, but can also be seen in safety monitoring systems. They are available with vapor charge or with adsorption charge. With vapor charge the differential is very small. The TS34 Thermostats with adsorption charge are widely used to give frost protection.

Features

- Detect the temperature change of the medium and perform the switching action
- Automatic reset function
- The action temperature and differential is adjustable

Technical parameter

General

Basic information

Temperature bulb	Φ2.5 Capillary,the minimum length of capillary and controlled environment is 0.25m(customizable)
Tests/Admissions	UL508

Electrical overview

Switching load	FL8A/LR48A at 240VAC FL16A/LR96A at 120VAC
Dielectric strength	2000V/one minute without breakdown

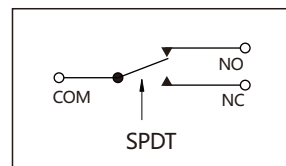
Installation arrangement

Installation torque	2N*M
Factory set	Vertical

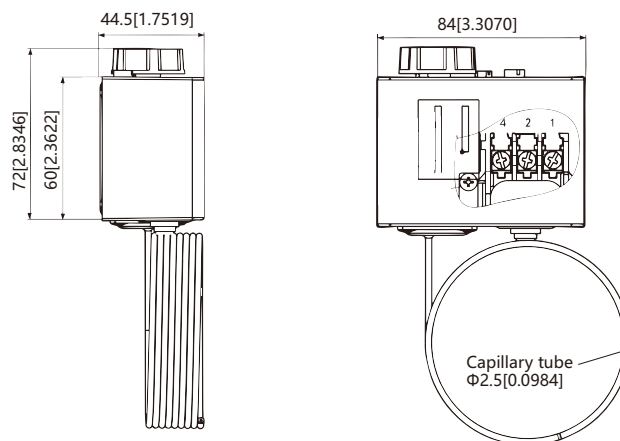
Operating conditions

Medium	Mainly the greenhouse air
Temperature	Medium:-40...+120°C[-40...+248°F] Ambient:-25...+65°C[-13...+149°F]
IP grade	IP30

Contact version



Dimensiones in mm(in)



Ordering information

Example part number:TS34

Name	Model	Temperature Range	Temperature Difference Range	Factory Set
TS34	15	-30...15°C[-22...59°F]	2...10°C[35.6...50°F]	-7/-9°C[19.4/15.8°F]
	30	-5...30°C[23...86°F]	2...12°C[35.6...53.6°F]	10/7°C[50/44.6°F]

Note: The length of the capillary tube is customizable, with a default length of 3 meters.