

# SMALL HIGH CURRENT PRESSURE SWITCH MODEL SPS13



1)SPS13 front view    2)SPS13 thread view

The SPS13 switches are fixed set point, factory calibrated pressure switches. It is automatic reset, and can be normally open or normally close contacts. All metallic wetted components make the SPS13 switch compatible with a multitude of chemicals in liquid or gas form. It is offered numerous types of electrical terminations from different size and style push on terminals to wire leads with an array of standard industry connectors.

## Features

- Switch with automatic reset design
- The maximum pressure set point can reach 942psi, and the maximum rated current is 25A
- Typical application safety devices/air conditioning/refrigeration equipmen

## Technical parameter

### General

#### Basic information

Pressure set range From 0.1 MPa to 6.5 MPa; below 1.0 MPa (gauge pressure) is considered low pressure, while 1.0 MPa and above is considered high pressure

Process connection M threads, NPT threads, R threads, G threads, UNF threads, and copper pipes(Other sizes can be customized)

Burst pressure 34.5MPax1min, no damage or leakage

Mechanical lifespan (switching cycles) 100,000

Electrical lifespan (switching cycles) 30,000

#### Electrical overview

Switching load 120VAC /20A,250VAC/10A;36VDC/15A

### Operating conditions

Medium Air,water,motor oils,transmission oils,jet fuels and other similar Hydrocarbon Media

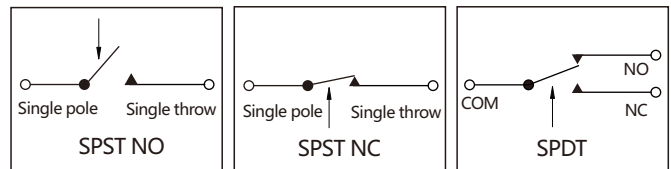
Temperature Ambient: -40...+65°C[-40...+149°F](Low pressure); -40...+120°C[-40...+248°F](High pressure)

Medium:-40...+80°C[-40...+176°F](Low pressure); -40...+135°C[-40...+275°F](High pressure)

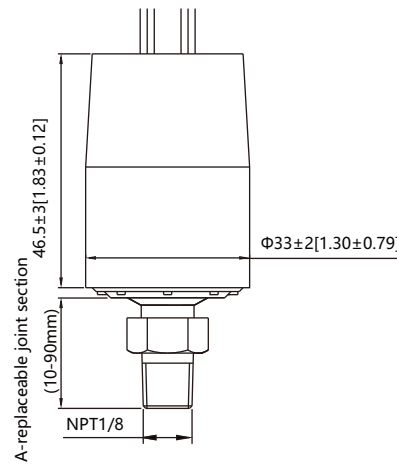
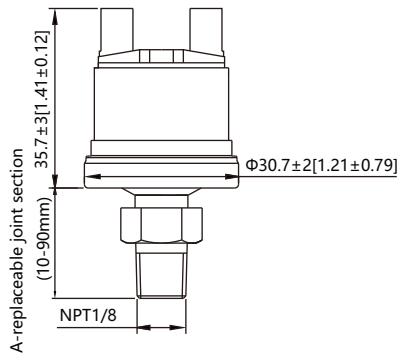
IP grade

IP67

### Contact version



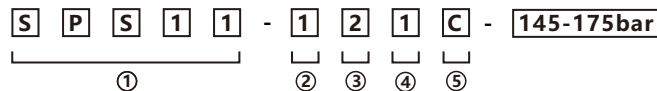
## Dimensiones in mm(in)



## Ordering information

### Example part number:SPS13-121C-145-175bar

Model SPS13 small high current pressure switch,electrical connections:wire leads,process connection:M thread(below M10), base material:brass,contact version:SPST-NC,Pressure setting:Reset pressure 145psi ,Action pressure 175psi.



①

Name	Action Pressure	Tolerance	Proof Pressure
SPS13	0.1 ≤ < 0.6MPa	±0.03MPa	1.5MPa
	0.6 ≤ < 1.0MPa	±0.05MPa	2.0MPa
	1.0 ≤ < 2.0MPa	±0.07MPa	3.0MPa
	2.0 ≤ < 3.0MPa	±0.10MPa	4.0MPa
	3.0 ≤ < 4.0MPa	±0.15MPa	5.5MPa
	4.0 ≤ < 5.0MPa	±0.20MPa	6.5MPa
5.0 ≤ < 6.5MPa	±0.25MPa	8.0MPa	

②

Electrical Connections	
1	Wire leads
2	Blade

③

Process Connection	
0	Other (Insert rod/Barb)
2	M thread (below M10)
3	M thread (below M12)
4	NPT thread
5	R thread
6	G thread
7	UNF thread
8	Purple copper tube

④

Base Material	
1	Brass
2	Stainless steel
8	Purple copper

⑤

Contact Version	
C	SPST-NC
O	SPST-NO
D	SPDT

1bar=100kPa=0.1MPa=14.5psi

\* Please make separate remarks for special requirements.