

AIR COMPRESSOR PRESSURE SWITCH MODEL CPS23



1)CPS23 front view 2)CPS23 side view 3)CPS23 back view

CPS23 air compressor pressure switch, this product is used for adjusting the pressure which in the compressor tank to operate between two preset pressure values. The pressure switch with an unloading valve prevents the air compressor from overloading and the handle is supposed to manually power off the compressor. The four-way base connection makes the installation of additional parts more convenient.

Features

- Adjust pressure in the air compressor tank
- Choose to have a relief valve function to avoid compressor overload starting
- The four ports connector facilitates the installation of components such as safety valves
- The attached handle can cut off the compressor power manually

Technical parameter

General

Basic information

Pressure range	95...125-200psi
Process connection	Single port/Female thread, Four ports/Female thread, Single port/male thread,Double female and male thread NPT1/4,R1/4,G1/4(can be customized)
Tests/Admissions	CSA

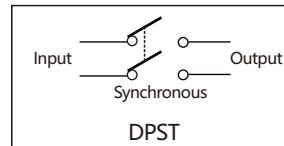
Electrical overview

Switching load	26A at 120VAC,50HZ 20A at 240VAC,60HZ
----------------	--

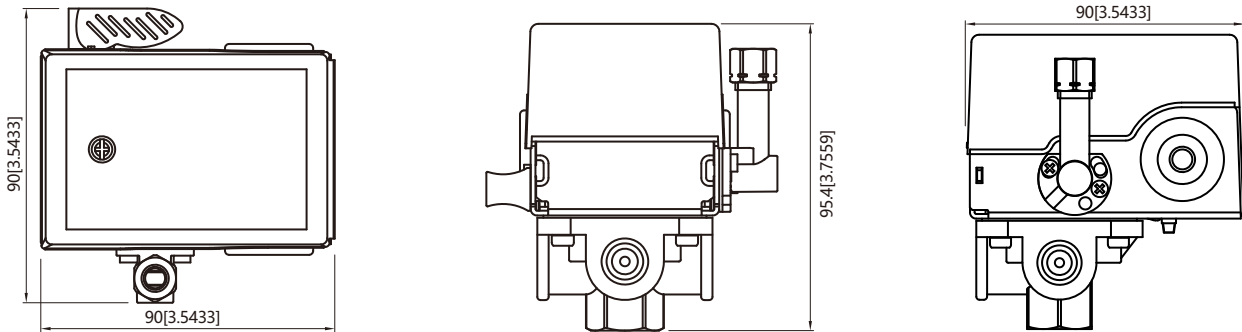
Operating conditions

Medium	Air,non-flammable,non-hazardous and non-corrosive gas
Temperature	Ambient:-20...+80°C[-4...+176°F]
Unloading valve connection	Φ6.0 mm,Φ6.4 mm,Φ6.5 mm, can be customized
IP grade	IP20

Contact version



Dimensiones in mm(in)



Ordering information

Example part number:CPS23-125ARK4INDW

Model CPS23 air compressor pressure switch,pressure range:95...125psi,differential pressure range:25...65psi,maximum working:200psi; unloading valve:Φ6.0mm;handle:red handle;connector:NPT1/4;interface type:four ports/female thread;form of unloading valve:none; direction of unloading valve: 270°(down); threaded connection: wire terminal cover.

C P S 2 3 - 1 2 5 A R K 4 I N D W

① ② ③ ④ ⑤ ⑥ ⑦ ⑧ ⑨

①	②	③	④	⑤
Name	Model	Pressure Range	Differential Pressure Range	Maximum Working
CPS23	125	95...125psi	25...65psi	200psi
	135	100...135psi		
	150	120...150psi		
	175	145...175psi		
	200	150...200psi		

1bar=100kPa=0.1MPa=14.5psi

⑥	⑦	⑧	⑨
Interface Type	Form Of Unloading Valve	Direction Of Unloading Valve	Threaded Connection
1I Single port/Female thread	N None	R 45°(upper right)	M Metal threaded connection
4I Four ports/Female thread	S Short	U 90°(upwards)	L R1/4
1O Single port/Male thread	L Long	L 180°(left)	W Wire terminal cover
2IO Double female and male thread		D 270°(down)	

③	④	⑤
Unloading Valve	Handle	Connector
N None	N None	K NPT1/4
A Φ6.0mm	R Red handle	L R1/4
B Φ6.4mm	B Black handle	M G1/4
C Φ6.5mm		

Please make separate remarks for special requirements.