

CARBON MONOXIDE TRANSMITTER MODEL CMT76



1)CMT76 front view 2)CMT76 internal structure diagram
3)CMT76 back view

CMT76 wall-mounted carbon monoxide transmitter uses electrochemical principle to detect carbon monoxide in the air, with good selectivity and stability. Three output modes of current, voltage and RS485 are optional, wide voltage power supply and power supply ant-reverse connection protection, It is suitable for carbon monoxide gas monitoring in indoor air quality detection, air conditioners, air purifiers, underground parking lots and other occasions.

Features

- Multiple signal output types, suitable for various processing equipment
- Up to 5 years of service life
- The protection level is Ip6X

Technical parameter

General

Basic information

Measured concentration	0-500ppm/0-1000ppm
Response time(T ₉₀)	≤15s
Accuracy	±5%F. S@25°C
Service life	>5 years

Operating conditions

Temperature	Working:-10...+50°C[+14...+122°F]
Working humidity	15%...90%RH
Work pressure	1atm(Standard Atmospheric Pressure)±10%
IP grade	IP6x

Electrical overview

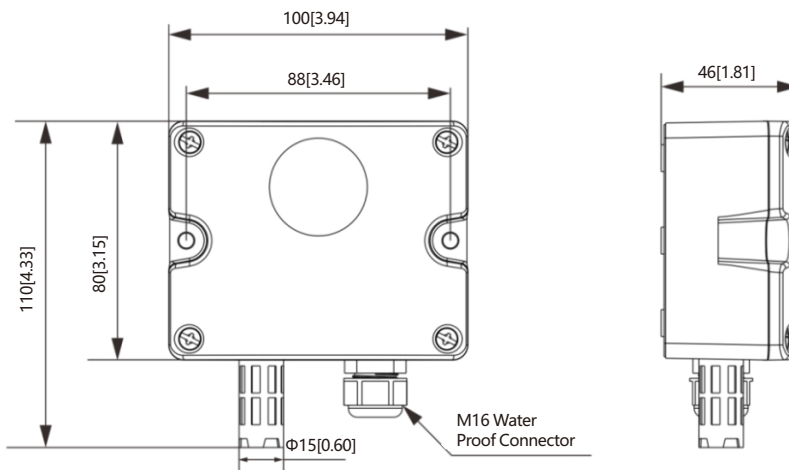
Electrical properties	3-wired			4-wired
Output signal	4...20mA	0...5V	0...10V	RS485
Working voltage	10...30Vdc	10...30Vdc	16...30Vdc	10...30Vdc

Wiring instructions

RS485 digital output type wiring		
Power supply	Red	Positive power
	Black	Negative power
Communication	Green	485-A
	White	485-B

Voltage/Current analog output type wiring		
Power supply	Red	Positive power
	Black	Negative power
Communication	Green	Voltage/Current output Positive
	White	Voltage/Current output negative

Dimensiones in mm(in)



Ordering information

Example part number:CMT76-2A4

Model CMT76 Wall-mounted Carbon Monoxide Transmitter ,Range 1000ppm,output 4...20mA.

C M T 7 6		-	2 A 4	
①			②	③
①	Model	②	Range	③
	CMT76	1	500ppm	V0
		2	1000ppm	V10
				A4
				RS
				RS485/Modbus

Please make separate remarks for special requirements.