

CARBON DIOXIDE TRANSMITTER MODEL CDT71



1) CDT71 front view 2) CDT71 internal structure diagram
3) CDT71 back view

CDT71 Wall-mounted Carbon Dioxide Transmitter is based on the fact that different gases have different absorption capabilities for infrared light in a specific band. It measures the concentration of the measured gas by measuring the degree of infrared light absorption. Compared with electrochemical sensors, it has the characteristics of long life and good stability, wide power supply range and power supply antireverse connection protection. It is suitable for indoor air quality detection, air conditioners, air purifiers, vegetable greenhouses and other occasions to measure carbon dioxide gas.

Features

- Multiple signal output types, suitable for various processing equipment
- Up to 5 years of service life
- The protection level is IP6X

Technical parameter

General

Basic information

Measured concentration	$\pm(40\text{PPm}+3\%\text{Fs})@25^\circ\text{C}$
Preheat time	2min(available)-10min(maximum accuracy)
Accuracy	0-2000PPM/0-5000PPM/0-10000PPM
Service life	>5 years

Operating conditions

Temperature	Working:-10...+50°C[+14...+122°F]
	Storage:-20...+60°C[-4...+140°F]
Working humidity	0-80%RH(No condensation)
IP grade	IP6X

Electrical overview

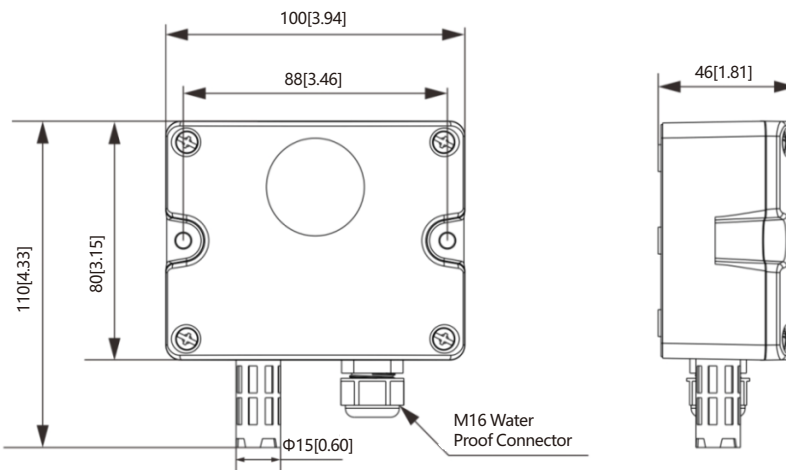
Electrical properties	3-wired			4-wired
Output signal	4...20mA	0...5V	0...10V	RS485
Working voltage	10...30Vdc	10...30Vdc	16...30Vdc	10...30Vdc

Wiring instructions

RS485 digital output type wiring		
Power supply	Red	Positive power
	Black	Negative power
Communication	Green	485-A
	White	485-B

Voltage/Current analog output type wiring		
Power supply	Red	Positive power
	Black	Negative power
Communication	Green	Voltage/Current output positive
	White	Voltage/Current output negative

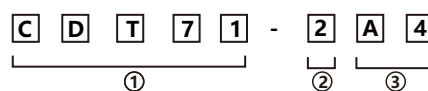
Dimensiones in mm(in)



Ordering information

Example part number:CDT71-2A4

Model CDT71 Wall-mounted Carbon Dioxide Transmitter ,Range 5000ppm,output 4...20mA.



Name
CDT71

Range
1 2000ppm
2 5000ppm
3 10000ppm

Output
V0 0...5V
V10 0...10V
A4 4...20mA
RS RS485/Modbus

Please make separate remarks for special requirements.