

SPECIFICATIONS

DIFFERENTIAL PRESSURE SWITCH ANW2332 SERIES



Micro Differential Pressure Switch ANW2332 Series

Benefits/features

- Sense the slight change of pressure, suitable for HVAC systems
- Automatic reset function
- Widely used in wards, laboratories, clean workshops and so on

Basic information

Pressure Difference Range	20...200-5000Pa
Process connection	The inner and outer diameter of the plastic pipe can be selected
Terminal block	6.35*0.8 AMP standard flat insert
Tests / Admissions	UL 60730 (the Standard for Safety For Industrial Control Equipment)

*RoHS-compliant products are assigned separate material numbers. Please ensure careful selection when placing an order.

Electrical overview

Switching load	1.5A(0.4A) at 250VAC
Resistive(inductive)	0.1A at 24VDC
Initial contact resistance	< 100 milliohms

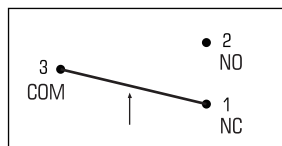
Operating conditions

Medium	Air, non flammable or non hazardous gases
Temperature	Medium: -20...+85°C [-4...185°F] Ambient: -40...+85°C [-40...185°F]
IP grade	IP54 (with cover)

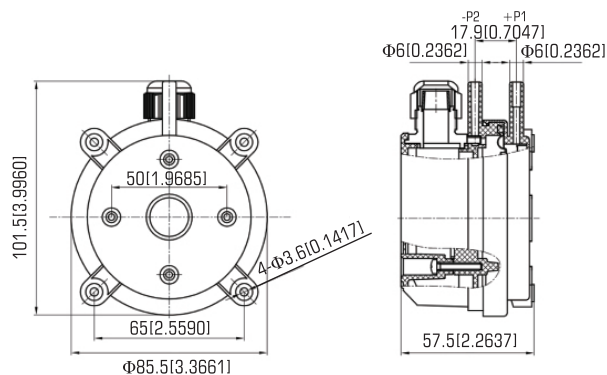
Installation arrangement

Installation torque	0.8N*M
Recommendation (Factory set)	Vertical, pressure connections facing downwards

Contact version(SPDT)



Dimensions in mm [in]



ORDER CODE SELECTION TABLE

DIFFERENTIAL PRESSURE SWITCH ANW2332 SERIES

ANW2332 Differential Pressure Switch	Model	Pressure Difference Range	Return Difference	Tolerance
	02	20...200	10±3	15%
	03	30...300	10±3	15%
	04	40...400	20±4	15%
	05	50...500	20±4	15%
	10	200...1000	100±15	15%
	25	500...2500	150±15	15%
	11	100...1000	50±5	15%
	50	1000...5000	250±25	15%
	03A	20...300	10±3	15%
	05A	30...500	20±4	15%
	06A	40...600	20±4	15%
	06	60...600	20±4	15%
	15	100...1500	50±5	15%
	20	200...2000	100±10	15%
	45	500...4500	250±25	15%

Note: The default accessories are a pipette, air tube (1.5m default length), and optional bracket.

Unit: Pa

1 bar = 100kPa = 0.1MPa = 14.5psi