

SPECIFICATIONS

DIFFERENTIAL PRESSURE SWITCH ANW195D SERIES



Differential Pressure Switch ANW195D Series

Benefits/features

- Differential pressure is adjustable
- Manual and automatic reset
- Equipped with mounting bracket

Basic information

Process connection	1/4SAE male,G1/4 male,M12*1.25 male
Cable diameter	6-14mm
Tests / Admissions	UL 508 (the Standard for Safety For Industrial Control Equipment)

*RoHS-compliant products are assigned separate material numbers. Please ensure careful selection when placing an order.

Electrical overview

Switching load	FL8A/LR48A at 240VAC FL16A/LR96A at 120VAC
Dielectric strength	1500V/one minute without breakdown

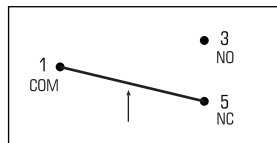
Operating conditions

Medium	Refrigerant,air,water,oil
Temperature	Medium:-40...+120°C [-40...248°F] Ambient:-20...+65°C [-4...149°F]
IP grade	IP20

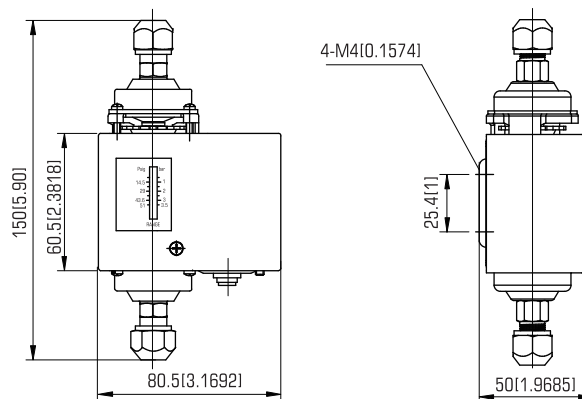
Installation arrangement

Installation torque	2.5N*M
Recommendation (Factory set)	Vertical, pressure connections facing downwards

Contact version(SPDT)



Dimensions in mm [in]



ORDER CODE SELECTION TABLE

DIFFERENTIAL PRESSURE SWITCH ANW195D SERIES

Differential Pressure Switch ANW195D Series

Name	Model	Reset Type	Process Connection	Bracket
ANW195D	2	N	A	L
	2 4 4H 6 6H	N=Auto M=Manual	A=1/4SAE male B=G1/4 male I=M12*1.25 male	N=No bracket P=Plate type L=L type U=U type

Note: The above rules are applicable for non-RoHS material selection. For RoHS compliant products, simply add the model number with (R) designation.

ANW195D Differential Pressure Switch	Model	Differential Pressure Range	Factory Setting	Maximum Working Pressure
	2	0.5...2	0.5	17
	4	0.5...3.5	1	17
	4H	0.5...3.5	1	33
	6	1...6	1	17
	6H	1...6	1	33

Unit: bar
1 bar = 100kPa = 0.1MPa = 14.5psi