

# SPECIFICATIONS

## PRESSURE SWITCH ANW1956 SERIES



### Pressure Switch ANW1956 Series

#### Benefits/features

- Suitable for controlling the pressure regulation of boilers and water towers
- Manual and automatic reset functions
- Adjustable pressure and differential pressure

#### Basic information

Pressure range	15...100-2070kPa(2...15-300psi)
Process connection	NPT1/4,G1/4,R1/4 The threads can be customized
Cable diameter	22mm
Mechanical lifespan (switching cycles)	50,000
Electrical lifespan (switching cycles)	30,000

\*RoHS-compliant products are assigned separate material numbers. Please ensure careful selection when placing an order.

#### Electrical overview

Switching load	FL5.1A/LR30.6A at 240VAC FL8A/LR48A at 120VAC
Dielectric strength	2000V/one minute without breakdown

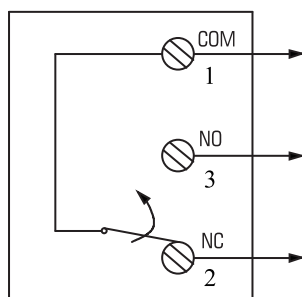
#### Operating conditions

Medium	Air,water,oil,steam,liquid and other non-corrosive media,chlorinecontaining liquid is not available
Temperature	Medium:-40...+180°C [-40...365°F] Ambient:-29...+66°C [-20.2...150.8°F]
Pressure Diaphragm	Stainless steel,corrugated tube
Thermal Material	Brass

#### Installation arrangement

Installation torque	2N*M
Recommendation (Factory set)	Vertical, pressure connections facing downwards

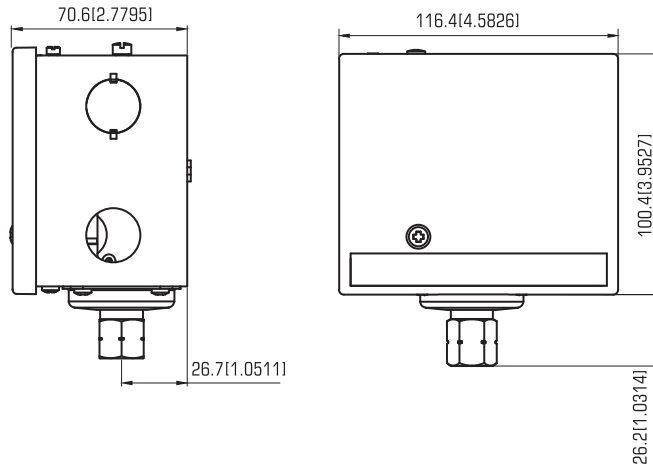
#### Contact version(SPDT)



# DIMENSIONS & ORDER CODE SELECTION TABLE

## PRESSURE SWITCH ANW1956 SERIES

Dimensions in mm [in]



Pressure Switch ANW1956 Series

ANW1956 Pressure Switch	Model	Pressure Range		Differential Pressure Range		Maximum Working Pressure	
		kPa	psi	kPa	psi	kPa	psi
	15	15...100	2...15	15...40	2...6	170	25
	50	35...350	5...50	40...100	4...14	590	85
	150	70...1035	10...150	70...150	10...22	1550	225
	300	140...2070	20...300	140...345	20...50	2410	350

1bar=100kPa=0.1MPa=14.5psi