

SPECIFICATIONS

THERMOSTAT ANW1955T SERIES



Thermostat ANW1955T Series

Benefits/features

- Detect the temperature change of the medium and perform the switching action
- Automatic reset function
- The action temperature and differential is adjustable

Basic information

Temperature bulb	Φ2.5 Capillary, the minimum length of capillary and controlled environment is 0.25m(customizable)
Tests / Admissions	UL 508 (the Standard for Safety For Industrial Control Equipment)

*RoHS-compliant products are assigned separate material numbers. Please ensure careful selection when placing an order.

Electrical overview

Switching load	FL8A/LR48A at 240VAC FL16A/LR96A at 120VAC
Dielectric strength	2000V/one minute without breakdown

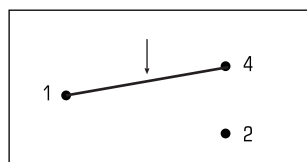
Operating conditions

Medium	Mainly the greenhouse air
Temperature	Medium: -40... +120°C [-40...248°F] Ambient: -25... +65°C [-13...149°F]
IP grade	IP30

Installation arrangement

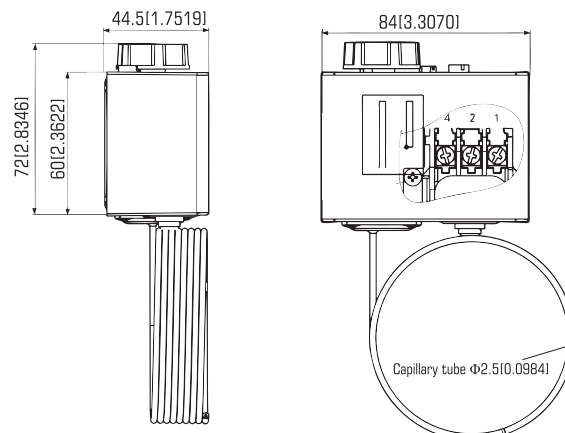
Installation torque	2N*M
Recommendation (Factory set)	Vertical

Contact version(SPDT)



1=COM 2=NC 4=NO

Dimensions in mm [in]



ORDER CODE SELECTION TABLE

THERMOSTAT ANW1955T SERIES

Thermostat ANW1955T Series

ANW1955T Thermostat	Model	Temperature Range	Temperature Difference Range	Factory Set
	15	-30...15[-22...59]	2...10[35.6...50]	-7/-9[19.4/15.8]
	30	-5...30[23...86]	2...12[35.6...53.6]	10/7[50/44.6]

Note: The length of the capillary tube is customizable, with a default length of 3 meters.

Unit: °C[°F]